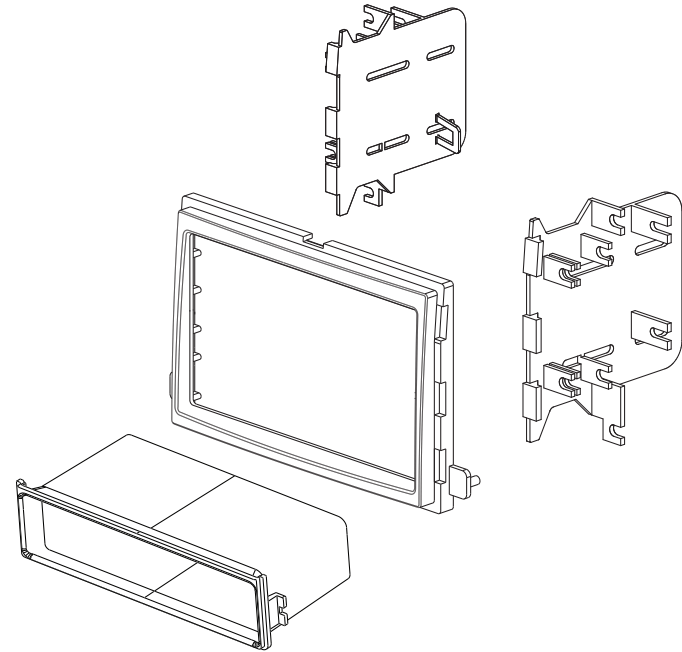




**American
International**
Car Stereo Installation Kits & Accessories



FMK540 Mounting Kit

VEHICLE APPLICATIONS

Ford		2005-12	SUPER DUTY
2009-16	ECONOLINE VAN	2013-16	SUPER DUTY (with classic dash)
2007-10	EDGE	2012-13	TRANSIT CONNECT
**2008-12	ESCAPE	Lincoln	
2007-14	EXPEDITION	2005-08	MARK LT P/U
2006-10	EXPLORER	2007-10	MKX (NAV only)
2007-10	EXPLORER SPORT TRAC	2007-14	NAVIGATOR (NAV only)
2004-08	F-150	Mazda	
*2009-12	F-150	**2008-11	TRIBUTE
*2013-14	F-150 (with classic dash)	Mercury	
2005-07	500	**2008-11	MARINER
2005-07	FOCUS	2006-09	MILAN
2004-07	FREESTAR	2005-07	MONTEGO
2005-07	FREESTYLE	2004-07	MONTEREY
2006-09	FUSION	2006-10	MOUNTAINEER
2005-09	MUSTANG	2008-09	SABLE
2008-09	TAURUS/TAURUS X		

* Excludes acclimated radio/climate control panel equipped vehicles.

** This kit is compatible for vehicles equipped with the factory Navigation radio only.



www.aampglobal.com www.aius.net

2500 East Francis Street Ontario, CA 91761, U.S.A.

Sales: (800) 477-2267

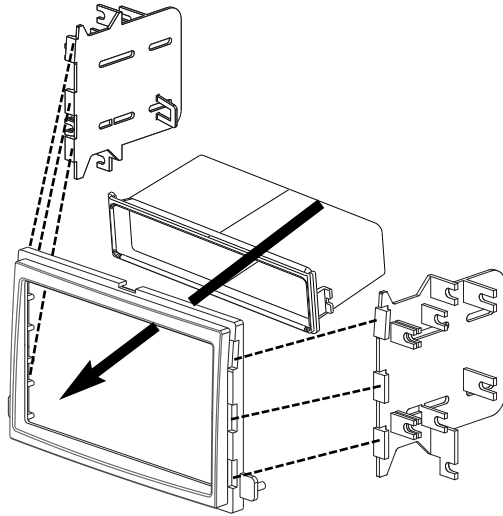
Intl: (727) 572-9255

Support: 888-228-5560

SINGLE ISO MOUNT INSTALLATION INSTRUCTIONS

1. Insert ISO brackets to rear of kit as shown in Figure A
2. Insert pocket into lower section of kit from rear & lock into slots of mounting brackets.
3. Insert ISO mountable radio between ISO mount brackets and loosely attach to sides of radio using screws provided with radio when possible or screws supplied with kit.
4. Slide radio forward or backward for desired look and tighten screws.
5. Attach a rear support bracket to the rear of the new radio and adjust as necessary to support the weight of the radio (Optional)

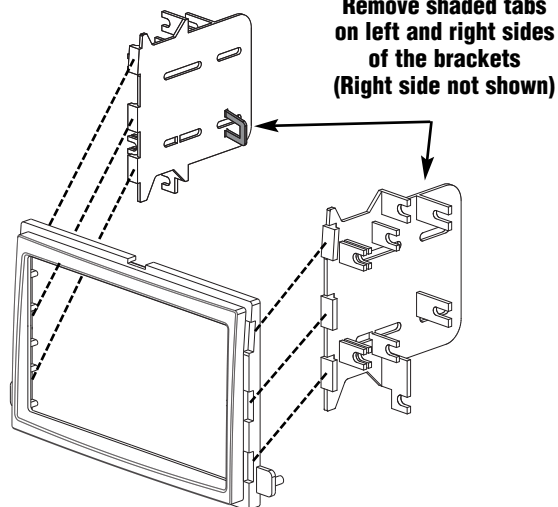
Fig. A



DOUBLE DIN MOUNT INSTALLATION INSTRUCTIONS

1. Attach left and right mounting brackets to the kit as shown in the figure below.
2. Insert ISO mountable radio between ISO mount brackets and loosely attach to sides of radio using screws provided with radio when possible or screws supplied with kit.
3. Slide radio forward or backward for desired look and tighten screws.
4. Support the rear of the radio component with back strap (optional).

Fig. B



2005-07 FORD 500
2005-07 MERCURY MONTEGO
2008-09 TAURUS/TAURUS X

DASH DISASSEMBLY INSTRUCTIONS

NOTE: See illustration A on page 2 for bracket preparation

1. Carefully Pry radio dash trim bezel outward, disconnect all harnesses from back of trim bezel and remove bezel.
2. Remove the (4) 9/32 screws securing the factory radio to the sub-dash.
3. Pull radio forward, disconnect all harnesses and antenna lead and remove radio.

2004-08 FORD F-150 (EXCLUDES HERITAGE MODELS)
2006-07 LINCOLN MARK LT
2012-2013 Transit Connect

DASH DISASSEMBLY INSTRUCTIONS

NOTE: See illustration A on page 2 for bracket preparation

1. Carefully Pry radio dash trim bezel outward, disconnect all harnesses from back of trim bezel and remove bezel.
2. Remove the (4) 9/32 screws securing the factory radio to the sub-dash.
3. Pull radio forward, disconnect all harnesses and antenna lead and remove radio.

2009-15 FORD SUPER DUTY PICKUP

DASH DISASSEMBLY INSTRUCTIONS

NOTE: See illustration F on page 2 for bracket preparation

1. Using a Flat blade screwdriver, insert the screwdriver blade into the slots located on the bottom edges of each the 12 Volt receptacle and Sync panels located below and to the sides of the factory climate controls, gently pull each panel forward to release and rest out of the way.
2. Remove the individual 9/32 screw located behind each panel removed in step 1 above.
3. Carefully pull the entire Radio/Climate Control panel with Vents forward to release and rest out of the way.
4. Remove the (4) 9/32 screws securing the radio to the sub-dash.
5. Carefully pull the radio forward, disconnect the attached wire harnesses and antenna adapter and remove radio.

- Remove the shift lock cover and press the shift lock button down using a small screwdriver or pen and depress the brake pedal and move the shift lever all the way to the rear.
- Carefully pull the entire Radio/Climate control assembly forward (you will need a second person for the next step). Be careful not to scratch the sides of the dash, or the shift lever.
- Remove the (1) 5/16 bolt securing the Ground strap to the right side of the assembly. Pliers may be necessary due to the short length of the strap.
- Pull the entire assembly forward and remove all attached harnesses and antenna leads and remove assembly.
- Remove the (4) 9/32 screws from the sub-dash to be able to mount the install kit into the dash location.

2009-12 FORD F-150 / 2013-14 FORD F-150 (with Classic Dash)

DASH DISASSEMBLY INSTRUCTIONS

NOTE: See illustration E on page 2 for bracket preparation

- Open the ashtray/pocket below the climate controls.
- From behind the auxiliary panel located to the right of the cigarette lighter, carefully unclip and press the auxiliary panel forward to release, disconnect the attached harnesses(if applicable) and remove panel.(save for re-assembly)
- Remove the (1) 9/32 screw securing the lower edge of the radio/climate control trim bezel.
- Remove the rubber mat located above the top edge of the radio trim bezel or fascia.
- Remove the (2) 9/32 screws located under this mat.
- Using a panel removal tool, carefully pry the left and right vent trim panels slightly outward to allow the edges of the Fascia of the Radio/Climate control bezel to be removed, (it is not necessary to remove the vent trims entirely).
- Carefully unclip and remove the factory radio/climate control bezel, or fascia.
- Remove the (4) 9/32 screws securing the radio (or radio sub-chassis) to the sub-dash.
- Carefully pull the radio forward, disconnect all attached harnesses and antenna lead and remove radio (or radio sub-chassis).

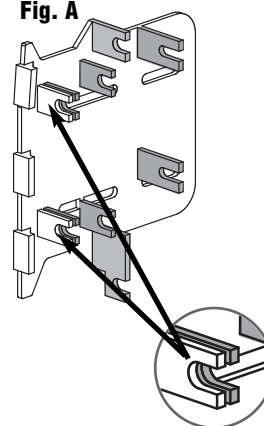
(Center Console shift Vehicles)

- Set the Parking Brake.
- Open the center console armrest lid and remove the (3) lower Torx screws securing the lid/hinge assembly to the pocket cavity of the center console.
- Carefully unclip and remove the thin panel below the cigarette lighter.
- From behind the auxiliary panel located to the right of the cigarette lighter, carefully unclip and press the auxiliary panel forward to release, disconnect the attached harnesses(if applicable) and remove panel.(save for re-assembly)
- Remove the (1) 9/32 screw securing the lower edge of the radio/climate control trim bezel.
- Remove the rubber mat located above the top edge of the radio fascia.
- Remove the (2) 9/32 screws located under this mat.
- Insert key into the ignition and turn to the ON position, (DO NOT START the vehicle).
- Depress the brake pedal and move the shift lever back.
- Lift up and remove the shift trim/drink holder assembly.
- Starting from the rear top edge of the center console, carefully lift up and unclip the entire top trim section that meets the lower edges of the Center Stack Vent/radio side trim panels.
- Using a panel removal tool, carefully pry the left and right vent trim panels slightly outward to allow the edges of the Fascia of the Radio/Climate control bezel to be removed, (it is not necessary to remove the vent trims entirely).
- Carefully unclip and remove the factory radio/climate control bezel, or fascia.
- Remove the (4) 9/32 screws securing the radio (or radio sub-chassis) to the sub-dash.
- Carefully pull the radio forward, disconnect all attached harnesses and antenna lead and remove radio (or radio sub-chassis).

BRACKET PREPARATION

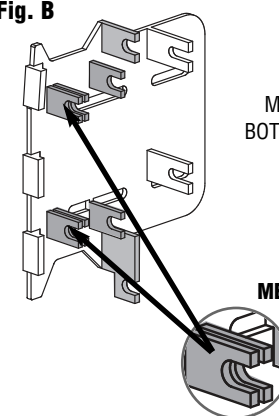
For all vehicles listed below, remove the **shaded** mounting tabs on both left and right brackets.

Fig. A



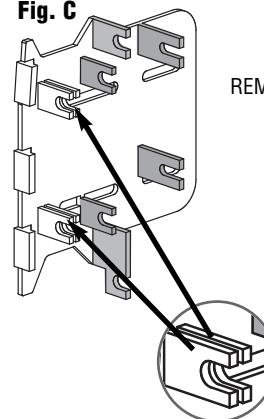
FOR FIGURE A
REMOVE **SHADED**
MOUNTING TABS ON
BOTH LEFT AND RIGHT
BRACKETS FOR:
FORD 500
2004-08 FORD F-150
FORD FREESTYLE
FORD MUSTANG
FORD TRANSIT CONNECT
TAURUS/TAURUS X
MERCURY MONTEGO
LINCOLN MARK LT

Fig. B



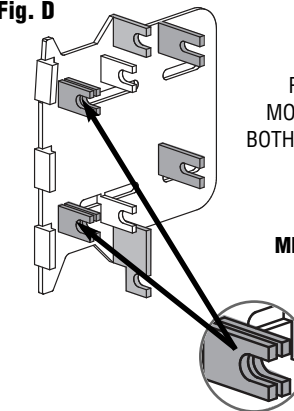
FOR FIGURE B
REMOVE **SHADED**
MOUNTING TABS ON
BOTH LEFT AND RIGHT
BRACKETS FOR:
FORD FREESTAR
FORD FOCUS
2005-08 FORD
SUPER DUTY
MERCURY MONTEREY

Fig. C



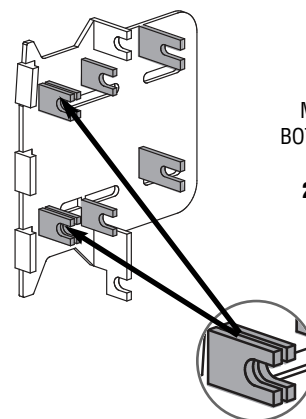
FOR FIGURE C
REMOVE **SHADED** MOUNTING
TABS ON BOTH LEFT AND
RIGHT BRACKETS FOR:
FORD EXPLORER
EXPLORER SPORT TRAC
FORD FUSION
LINCOLN ZEPHYR
MERCURY MILAN
MERCURY MOUNTAINEER

Fig. D



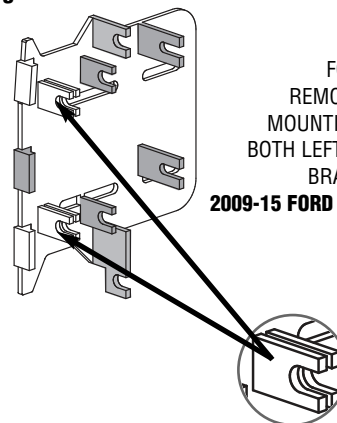
FOR FIGURE D
REMOVE **SHADED**
MOUNTING TABS ON
BOTH LEFT AND RIGHT
BRACKETS FOR:
FORD ESCAPE
MAZDA TRIBUTE
MERCURY MARINER

Fig. E



FOR FIGURE E
REMOVE **SHADED**
MOUNTING TABS ON
BOTH LEFT AND RIGHT
BRACKETS FOR:
2009-14 FORD F-150

Fig. F



FOR FIGURE F
REMOVE **SHADED**
MOUNTING TABS ON
BOTH LEFT AND RIGHT
BRACKETS FOR:
2009-15 FORD SUPER DUTY

2005-07 FORD FREESTYLE

DASH DISASSEMBLY INSTRUCTIONS

NOTE: See illustration A on page 2 for bracket preparation

1. Open the storage compartment located above the Radio/Vent trim bezel.
2. Starting from the top edge and working your way down the sides toward the bottom, carefully pry the Radio/Climate control trim bezel forward, disconnect all harnesses from the rear of the trim bezel and remove bezel.
3. Remove the (4) 9/32 screws securing the radio to the sub-dash. Carefully pull radio forward, disconnect all harnesses and antenna lead and remove radio.

2005-09 FORD MUSTANG

DASH DISASSEMBLY INSTRUCTIONS

NOTE: See illustration A on page 2 for bracket preparation

1. Carefully remove the trim from around the gearshift.
2. Remove the (2) Phillips screws located under the center console lid.
3. Lift up on the emergency brake and carefully remove the center console.
4. Carefully unclip and remove the trim panels at the left and right side of the radio.
5. Remove the (4) 9/32 screws securing the radio trim bezel to the sub-dash, carefully pull trim bezel forward, disconnect all attached harnesses and remove trim bezel.
6. Remove the (4) 9/32 screws securing the radio to the sub-dash, carefully pull radio forward and disconnect all harnesses and antenna lead and remove radio.

2005-08 FORD Super Duty

DASH DISASSEMBLY INSTRUCTIONS

NOTE: See illustration B on page 2 for bracket preparation

1. Engage the parking brake.
2. For Automatic Transmission Vehicles only, insert key into the ignition and turn to the ON position and depress the brake pedal, (DO NOT START THE VEHICLE!) then place the shift lever into the lowest position.
3. Lower the steering column all the way down.
4. Starting at the top edge of the dash trim bezel, carefully unclip and pull forward the dash trim bezel to access all the wire harness connectors attached to the features on the rear of the trim bezel.
5. Carefully disconnect all the connectors on the back side of the dash trim bezel and remove bezel.
6. Remove the (4) 9/32 screws securing the radio to the sub-dash.
7. Carefully pull radio forward, disconnect the wire harnesses and antenna lead from the rear of the radio and remove radio.

2005-07 FORD FOCUS

DASH DISASSEMBLY INSTRUCTIONS

NOTE: See illustration B on page 2 for bracket preparation

1. Carefully pry forward and unclip Radio/Climate control trim bezel and disconnect the 12 Volt Receptacle plug from the rear of the bezel.
2. Lay the trim bezel assembly out of the way (Disconnecting the climate control cables or harnesses is not necessary).
3. Remove the (4) 9/32 screws securing the radio to the sub-dash.
4. Carefully pull Factory radio forward, disconnect the wire harness and antenna lead from the rear of the radio and remove radio.

2004-07 FORD FREESTAR 2004-07 MERCURY MONTEREY

DASH DISASSEMBLY INSTRUCTIONS

NOTE: See illustration B on page 2 for bracket preparation

1. Carefully unclip and remove the radio/climate control trim bezel from around the factory radio.
2. Disconnect the harnesses from the rear of the radio/climate control bezel and remove bezel.
3. Remove the (4) 9/32 screws securing the factory radio to the sub-dash.
4. Carefully pull radio forward, disconnect the wire harness and antenna lead from the factory radio and remove radio.

2006-10 FORD EXPLORER

2006-10 MERCURY MOUNTAINEER (NAV ONLY)

2007-10 EXPLORER SPORT TRAC

DASH DISASSEMBLY INSTRUCTIONS

NOTE: See illustration C on page 2 for bracket preparation

1. Open the center console and remove the (2) 9/32 screws from the center console shifter trim.
2. Carefully lift up on the center console shifter trim and disconnect the 12 volt receptacle harness and remove trim.
3. Carefully pry outward on the radio trim bezel to release the panel clips, then lift the lower sides upward and slightly outward to clear the shift lever.
4. Disconnect all harnesses from the radio trim bezel and remove bezel.
5. Remove the (4) 9/32 screws securing the radio to the sub-dash.
6. Pull radio forward, disconnect all harnesses and antenna lead and remove radio.

2006-09 FORD FUSION

2006-08 LINCOLN ZEPHYR

2006-09 MERCURY MILAN

DASH DISASSEMBLY INSTRUCTIONS

NOTE: See illustration C on page 2 for bracket preparation

1. Starting from the bottom, carefully pry the factory radio trim bezel from around the radio forward, disconnect all harnesses attached to the rear of the trim bezel and remove bezel.
2. Remove the (4) 9/32 screws securing the radio to the sub-dash.
3. Carefully pull radio forward, disconnect all harnesses and antenna lead and remove radio.

2008-11 FORD ESCAPE

2008-11 MAZDA TRIBUTE/ MERCURY MARINER

DASH DISASSEMBLY INSTRUCTIONS

NOTE: See illustration D on page 2 for bracket preparation

1. Carefully pry the Vent assembly above the radio forward.
2. Remove the (2) 9/32 screws securing the top of the radio/Climate control assembly to the sub-dash.
3. Carefully pry the LOWER 12 Volt/ USB/ Auxiliary plug panel forward, disconnect all attached harnesses and remove panel.
4. Remove the (2) 9/32 screws securing the lower edge of the Radio/Climate control assembly.
5. Set the parking brake.