

# DS18

HYDRO

OWNER'S MANUAL

## AXL10SUBLOD

---

---

MARINE & MOTORSPORTS 10" SUBWOOFER BOX LOADED



#WELIKEITLOUD



# NXL10SUBLD

## MARINE & MOTORSPORTS 10" SUBWOOFER BOX LOADED

### FEATURE

10" Subwoofer Box Loaded for Marine, Jeeps & Motorsports

Continuous Power Handling: 350 Watts RMS

Peak Music Power: 700 Watts MAX

Frequency Response: 35Hz – 1.2KHz +/- 3dB

Sensitivity: 87dB 1W/1M

Nominal Impedance: 4 OHMS

10" Passive Radiation For Bass Boost

IP65 Marine Grade Compliant Specifications, 100% UV Stable

PE Plastic Box Waterproof

Integrated RGB LED Lighting

High Temp injection Molded Composite PC Basket

Injection Molded, UV Compliant, Polypropylene Cone, Butyl Surround

RF Remote LED Controller or WiFi Controller and BT App (LED-BTC)

for Multi-Function RGB LED Lighting (Sold Separately)

High Temp Injection Molded Composite Grilles Black Matte Painting (NXL10SUBLD-BK) /

White UV Coating (NXL10SUBLD-WH) with 316 Metal Mesh

Motor Structure Use Y35 Ferrite Magnet

Over-All Depth: 13.65"/347mm

Over-All Width: 14.17"/360mm

Over-All Height: 12.6"/320mm

### PACKING INCLUDE

1 x 10" Subwoofer Box For Marine Motorsports

4 x M5.2 Phillips Inner Hex Head 304 Stainless Screw

1 x 4MM Hex Tool

1 x Owner's Manual

## WARNING

1. Be sure to carefully read and understand the instructions before attempting to install NXL10SUBLD Subwoofer Box.
2. For safety, disconnect the negative battery terminal from the battery prior to beginning the installation.
3. Use high quality connectors for a reliable installation and to minimize signal or power loss.
4. **Think before you drill!** Be careful not to cut or drill gas tanks, fuel lines, brake or hydraulic lines, vacuum lines or electrical wiring when working on any vehicle. If installing in a boat, take care not to cut or drill through the mail hull.
5. Never run wires underneath the vehicle. Running the wire inside the vehicle or hull area provides the best protection.
6. Avoid running wires over or through sharp edges. Use rubber or plastic grommets to protect any wires routed through metal - especially the firewall.

## MOUNTING

1. Determine where the Subwoofer Box will be mounted. Ensure an area large enough for the Box to mount evenly. Only mount to flat surface.
2. Mark the locations for the mounting screws. Drill the hole with a 13/64 bit.
3. Feed the speaker wire through the cutout and connect to the speaker terminals. Be sure to observe proper polarity when connecting the wires. The speaker's positive terminal is indicated with a "+".
4. Fit the Subwoofer Box and mount into place using four (4) screw supplied.
5. Tighten the screws until the Box is snug in place.
6. **LED CONNECTION** - There are two options to choose from:
  - 6.1- Connect RGB Wires to RF RGB LED Controller or WIFI RGB LED Controller (optional).
  - 6.2 - Connect to battery (DC12V), Speaker RGB LED fast Terminal "V+" connected to Battery Positive
    1. Green Color: "G" Fast Terminal Connect to Battery Negative
    2. Red Color: "R" Fast Terminal Connect to Battery Negative
    3. Blue Color: "B" Fast Terminal Connect to Battery Negative
    4. Purple Color: "R" and "B" Fast Terminal Connect to Battery Negative
    5. Yellow Color: "R" and "G" Fast Terminal Connect to Battery Negative
    6. Cyan Color: "B" and "G" Fast Terminal Connect to Battery Negative
    7. White Color: "R", "B" and "G" Fast Terminal Connect to Battery Negative

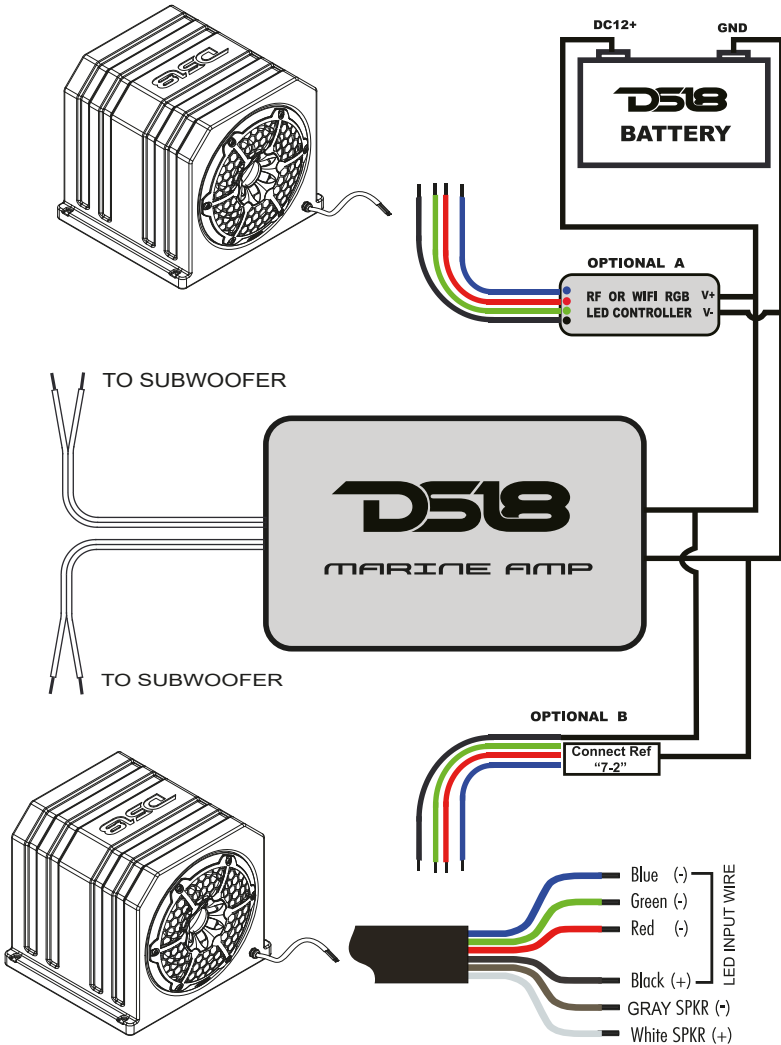




# AXL10SUBLD

MARINE & MOTORSPORTS 10" SUBWOOFER BOX LOADED

## INSTALLATION



## SPECIFICATIONS

FOR ALL ELEMENTS 10" SUBWOOFER BOX LOADED

**NXL10SUBLD**

<b>MODEL</b>	<b>NXL10SUBLD</b>
<b>Nominal Diameter</b>	<b>10" (254 mm)</b>
<b>Type</b>	<b>Subwoofer</b>
<b>Nominal Impedance (ohms)</b>	<b>4Ω</b>
<b>Frequency Response</b>	<b>35Hz - 1.2KHz</b>
<b>Voice Coil Diameter</b>	<b>2" (50.0 mm)</b>
<b>Power Handling</b>	<b>350 Watts RMS / 700 Watts Max</b>
<b>Sensitivity (1w/1m)</b>	<b>87dB</b>

We Reserve The Right To Change Products And Specifications At Any Time Without Notice. Images May Or May Not Include Optional Equipment

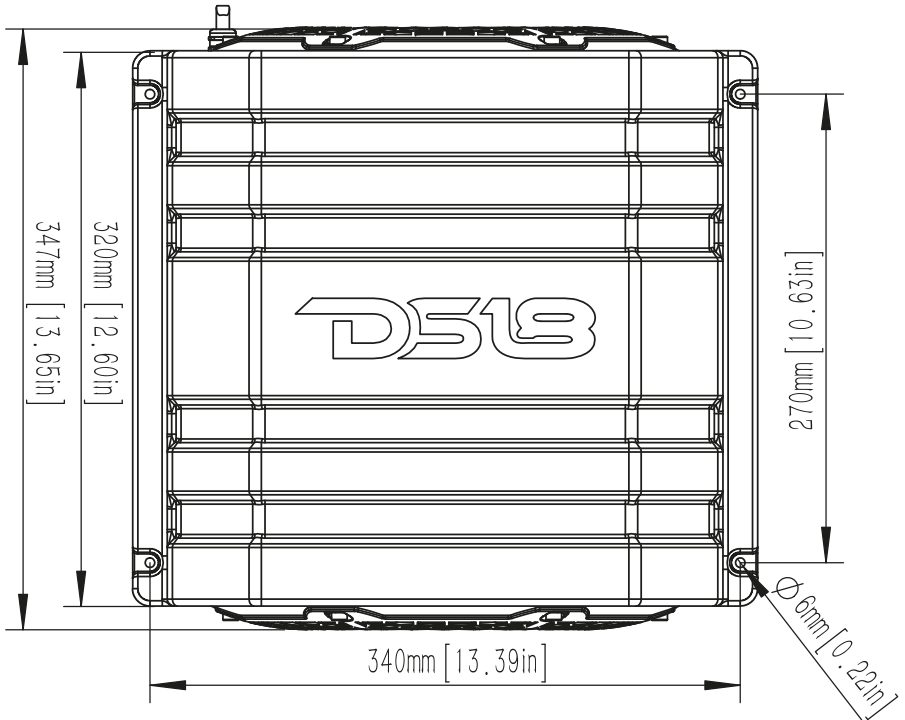




# AXL10SUBLD

MARINE & MOTORSPORTS 10" SUBWOOFER BOX LOADED

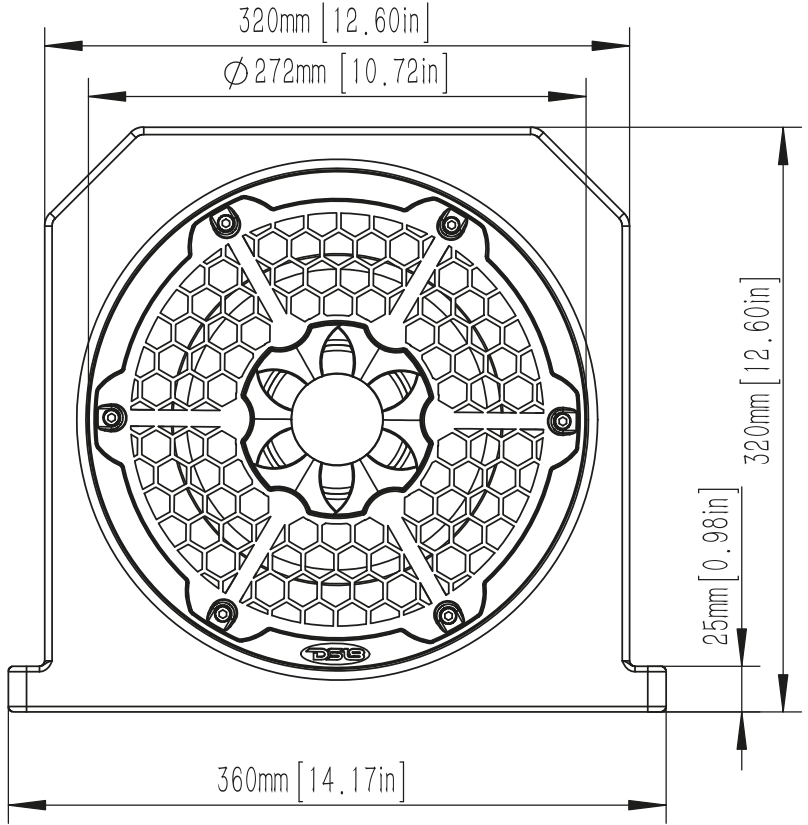
## DIMENSIONS



DS18  
HYDRO

# DS18

HYDRO



#WELIKEITLOUD

# DS18

## HYDRO



#WELIKEITLOUD



FOR MORE INFORMATION  
PLEASE VISIT  
[WWW.DS18.COM](http://WWW.DS18.COM)

▲▲ FOR ALL  
ELEMENTS

