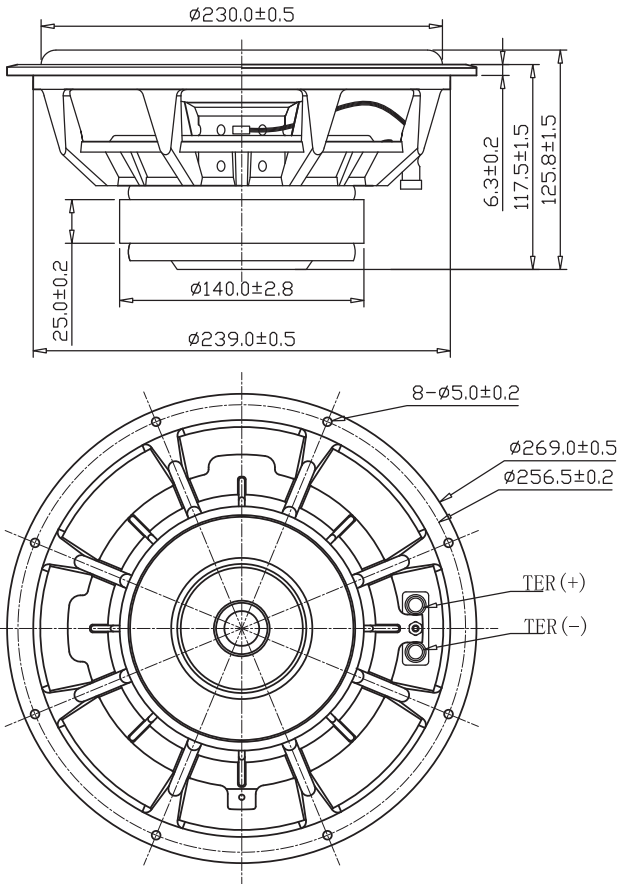




10" Signature Series Woofer 120W Driver 4 Ohm

SIG270-4

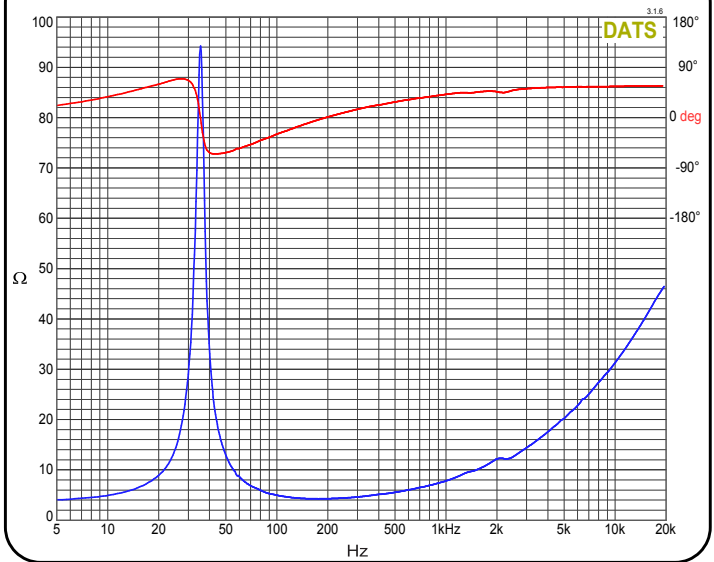


PARAMETERS

Impedance	4 ohms
Re	3.9 ohms
Le	0.79 mH @ 1kHz
Fs	35 Hz
Qms	10.25
Qes	0.44
Qts	0.42
Mms	64g
Cms	0.32 mm/N
Sd	361.5 cm ²
Vd	235 cm ³
BL	11.2 Tm
Vas	58.6 liters
Xmax	6.5 mm*
VC Diameter	51 mm
SPL	92.8 dB @ 2.83V/1m
RMS Power Handling (AES 426B)	120 watts
Usable Frequency Range (Hz)	35 – 2,500 Hz

*at 70% BI (Klippel verified)

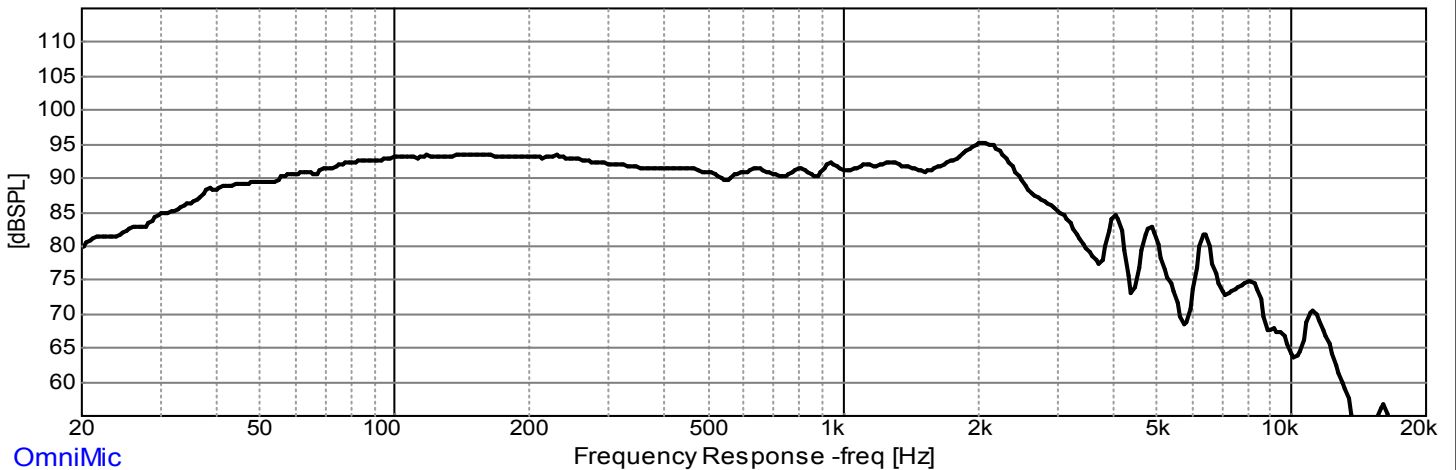
IMPEDANCE/PHASE



FEATURES

- Extensive Klippel LMP and LSI testing to optimize BI symmetry and parameters
- Indexed cone/surround junction for smooth transition/frequency response
- Polyimide formers for improved mechanical damping smooth frequency response
- One piece concave black anodized aluminum cone
- Vented former and elevated spider for improved air flow
- Open aluminum cast frame for improved heat dissipation
- Countersunk stainless steel magnet badging for long time aesthetics

FREQUENCY RESPONSE



Note: 1/24th octave smoothing - near field response included in graph below 450 Hz.