

Fig.1

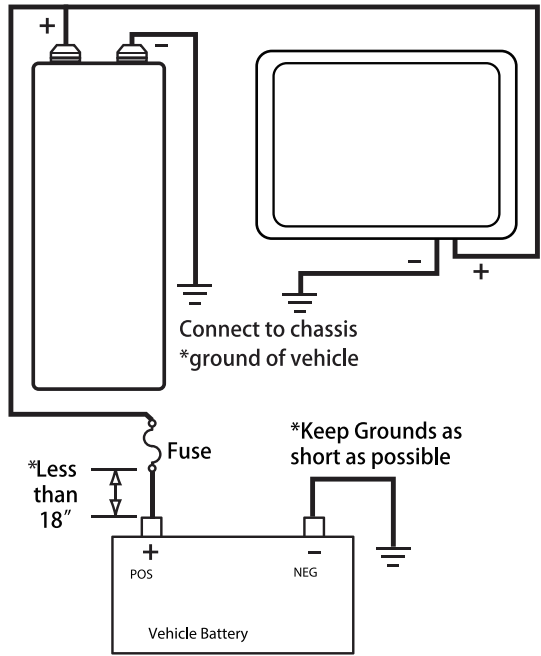
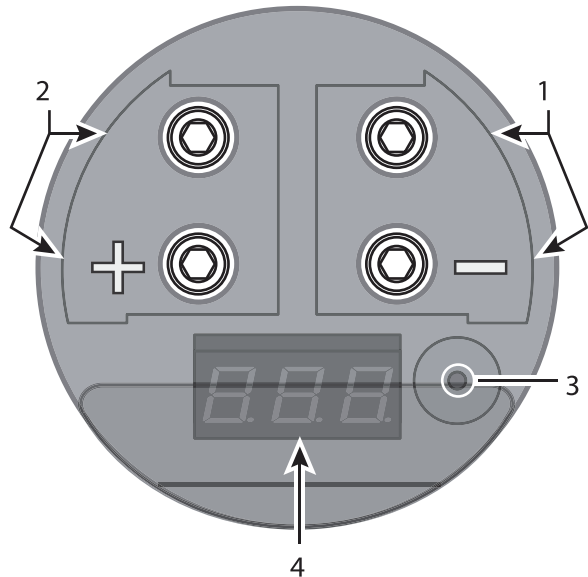


Fig.2



[www.gascaraudio.com](http://www.gascaraudio.com)

# Owners Manual



## CAPACITOR

MODEL: CCFD1



[www.gascaraudio.com](http://www.gascaraudio.com)

## 1. INTRODUCTION

Thank you for purchasing a GAS CCFD1 Capacitor. These capacitors assist in maintaining a steady and continuous flow of power to other devices, such as amplifiers, in your audio system. Please read and follow all instructions carefully before connecting your capacitor. If you still have questions regarding this product after reading the manual, we recommend that you contact your GAS dealer.

## 2. SAFETY INFORMATION

**CAUTION** - To prevent personal injury and damage to the unit, please read and follow all instructions in this manual carefully.

**CAUTION** - If you feel unsure about installing this system yourself, have it installed by a qualified Recoil Technician

**CAUTION** - Before installation, disconnect the negative (-) battery terminal to prevent damage to the unit, fire and/or possible injury.

**CAUTION** - Polarity must be observed and maintained during the installation to prevent the possibility of damage to the capacitor, battery or other connected equipment.

## 3. POWER WIRE CONSIDERATIONS

Installation is simple and straight forward. When installing the capacitor, we recommend using the same gauge wire as is used for the other power connections to the battery and amplifier. Ground the capacitor to the nearest chassis ground using the same gauge wire as the power connections. It is strongly recommended that the capacitor be fused within 18" of the battery (see illustration). If the capacitor is to be used in a multi-amp system, a power distribution block may be used between the capacitor and the amplifiers. It should be wired using the same gauge wire as that of the main system. The positive side of the capacitor will be connected to the positive side of the amplifier's power connection (B+).

## 4. INSTALLATION / MOUNTING

See figure 1 on the back of the manual

The GAS CCFD1 capacitor should be mounted as close to the amplifier as possible, within 18" (0.5m) of the amplifier, keeping the wire runs short to reduce the voltage losses in the cables. Use the mounting brackets supplied to secure the capacitor as close to the amplifier as possible. The capacitor may be mounted in any position: however, care should be taken to ensure the venting hole on the top is unobscured at times. This vent is a relief valve should the electrical polarity become crossed. If the capacitor is damaged, fluid will exit from this vent rendering the capacitor useless.

**CAUTION** - To prevent damage to the capacitor, do not install in locations where it will be exposed to water, oil or abuse. Install in the dry, safe place within 18" of the amplifier. The positive lead connects to the terminal is not marked. If these wires are reversed, fluid from the inside of the capacitor will leak out of the vent plug on the top. **DO NOT** install a damaged capacitor. Use care when handling damaged capacitors: treat them like a fully charged lead acid battery.

## 5. CHARGING

1. Either mount the CHRG2 card on the top of the capacitor using its terminals, or connect the blue wire to the positive (+) post and the yellow wire to the negative (-) post on the capacitor.
2. Connect the systems RED wire to the positive (+) side and the BLACK wire to the negative (-) side of a 12 volt power source (your battery). When the green LED light goes out, the capacitor is charged.

## 6. DIGITAL CAPACITOR STATUS FEATURES

1. Negative Terminal - Connect to chassis ground (B-).
2. Positive Terminal - Connect to the positive (+) side of the vehicle's battery.
3. Reverse Polarity Warning - A buzzer will sound if the capacitor is connected backwards (positive to negative, negative to positive). Ensure that the capacitor is terminated correctly.
4. Voltage Indicator - When the system is on, the display will show the DC coltage at the capacitor.
5. Auto Turn On - Turns on the display during standard operation (voltage fluctuation) after 5 minutes of non-use (no voltage fluctuation) the digital display will automatically revert to sleep mode.

## 7. INFORMATION ON DISPOSAL OF THE ELECTRICAL & ELECTRONIC EQUIPMENT

Items marked with the "Crisscrossed wheeled bin" are not allowed to be disposed of together with usual household waste. These electrical and electronic products should be disposed of in special reception centers, equipped for recycling such products and components. For information about the location of your nearest disposal/recycling spot and the rules of delivery of waste, please contact your local municipal office. Recycling and proper disposal helps to protect the environment and prevent harmful effects on health.

