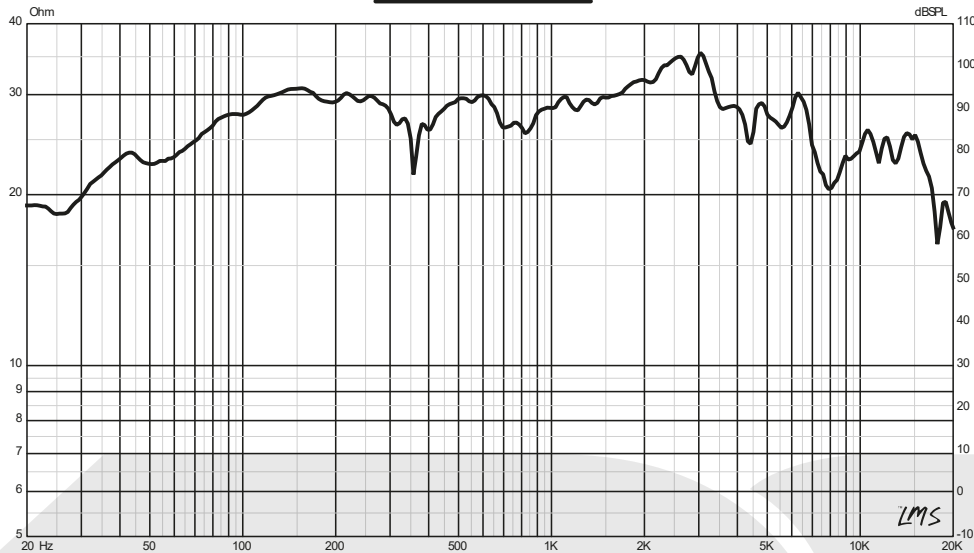


PRO-X10.4M

10" MIDRANGE LOUDSPEAKER
RED COLOR STEEL BASKET
40 OZ HIGH STRENGTH FERRITE MAGNET
CLOTH EDGE AND NON-PRESSED PAPER CONE
2.0" HIGH TEMPERATURE CCAR VOICE COIL
600 WATTS MAX POWER
300 WATTS RMS POWER
IMPEDANCE 4 OHMS
SENSITIVITY 100.2 DB
FREQUENCY RESPONSE 76 - 6.8 KHZ

SPL vs Freq



WE LIKE IT LOUD

www.ds18.com



OWNER'S MANUAL

PRO - X10.4M

10" MIDRANGE LOUDSPEAKER

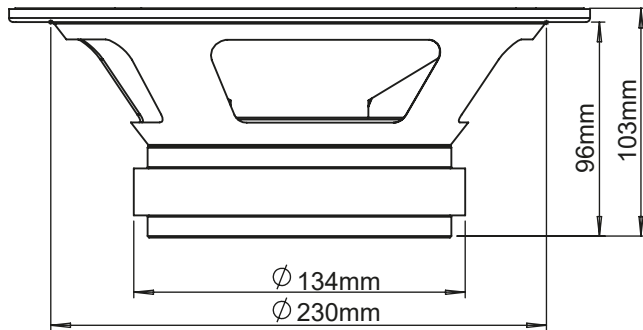
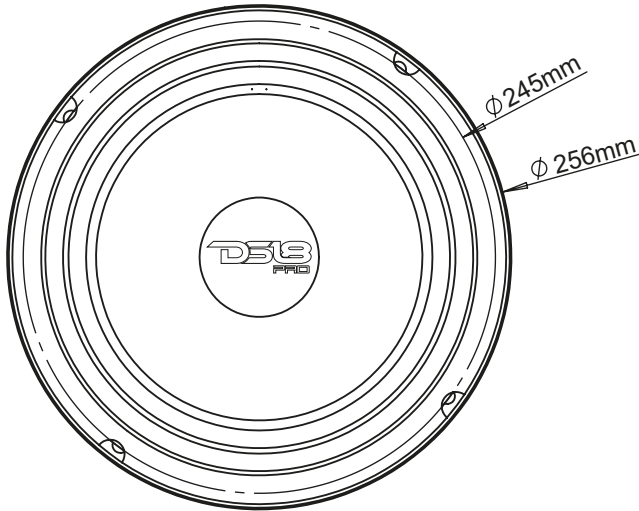
WE LIKE IT LOUD

www.ds18.com



PRO - X10.4M

10" MIDRANGE LOUDSPEAKER



#WELIKEITLOUD

WWW.DS18.COM

PRO - X10.4M

10" MIDRANGE LOUDSPEAKER

Overall Diameter	256mm(10.08")
Baffle Cutout Diameter	230mm(9.05")
Overall Depth	103mm(4.06")
Nominal Impedance	4Ω
Rms Power Handling	300 W
Maximum Power Handling	600 W
Sensitivity (1w/1m)	100.2 dB
Frequency Response	76-6.8 KHz
Voice Coil Diameter	50.8mm(2.0in)
Winding Material	CCAW
Magnet Weight	Ferrite 40 oz
Basket Material	Steel

THIELE & SMALL PARAMETERS

Fs	76.3 Hz
Re	3.2 Ω
Qes	0.886
Qms	15.28
Qts	0.841
Vas	84.93dm ³ (0.51ft ³)

SHIPPING PACKING

Shipping Box	570*295*260mm/4pcs
Shipping Weight	15kg



WWW.DS18.COM