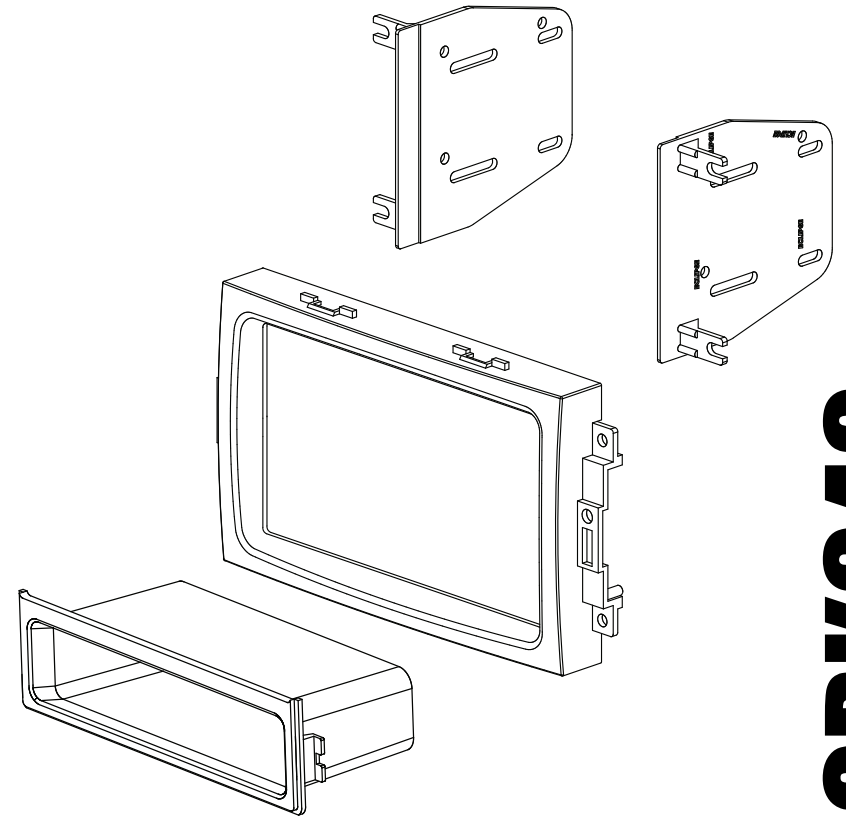


For information about other American International automotive accessories visit our website at:

<http://www.aius.net>



**American International**  
Car Stereo Installation Kits & Accessories



**CDK649 Mounting Kit**



**American International**

**WWW.AIUS.NET**

2500 East Francis Street Ontario, CA 91761, U.S.A.

USA Sales (800) 336-6500

Canada Sales (888) 922-3006

**CUSTOMER HELP LINE**

**USA 800-323-4329 • Canada 800-245-8777**

iCDK649

**VEHICLE APPLICATIONS** Single ISO w/pocket or Double DIN • Navigation Vehicles Only

**Chrysler**

2005-07 300/300C

2007 ASPEN

**Dodge**

2007-08 CALIBER

2006-07 CHARGER

2004-07 DURANGO

2005-07 MAGNUM

2006-08 RAM P/U

**Jeep**

2006-07 COMMANDER

2007-08 COMPASS

2005-07 GRAND CHEROKEE

2007-08 PATRIOT



## 2005-07 JEEP GRAND CHEROKEE

### DASH DISASSEMBLY INSTRUCTIONS

1. Carefully remove the trim/vent assembly from around the radio and remove.
2. Remove the (4) Phillips screws securing the radio to the sub-dash.
3. Pull radio forward, disconnect the wire harness and antenna lead and remove radio.

## 2006-07 JEEP COMMANDER

### DASH DISASSEMBLY INSTRUCTIONS

1. Remove the (16) 3/16 Allen screws securing the four vent locations of the dash bezel in place.
2. Carefully remove the entire Radio/Vent trim panel forward (Note: there are panel clips along the top edge and one in the middle below the radio). Remove dash panel.
3. Remove the (4) 9/32 screws securing the radio to the sub-dash.
4. Carefully pull radio forward, disconnect all attached harnesses and antenna lead and remove radio.

## 2006-08 CHRYSLER PT CRUISER

### DASH DISASSEMBLY INSTRUCTIONS

1. Turn the Vents above the radio horizontal to expose and allow access to the slots where there is an individual Phillips screw located at the bottom of each vent, using a magnetized Phillips screw driver, remove the individual Phillips screw from each vent location.
2. Carefully unclip and remove the entire Radio/Climate control trim bezel forward, disconnect all attached harnesses and remove bezel.
3. Remove the (4) phillip's screws securing the radio to the sub-dash.
4. Pull the radio forward, disconnect the wire harness and antenna lead and remove radio.

## 2007-08 JEEP PATRIOT

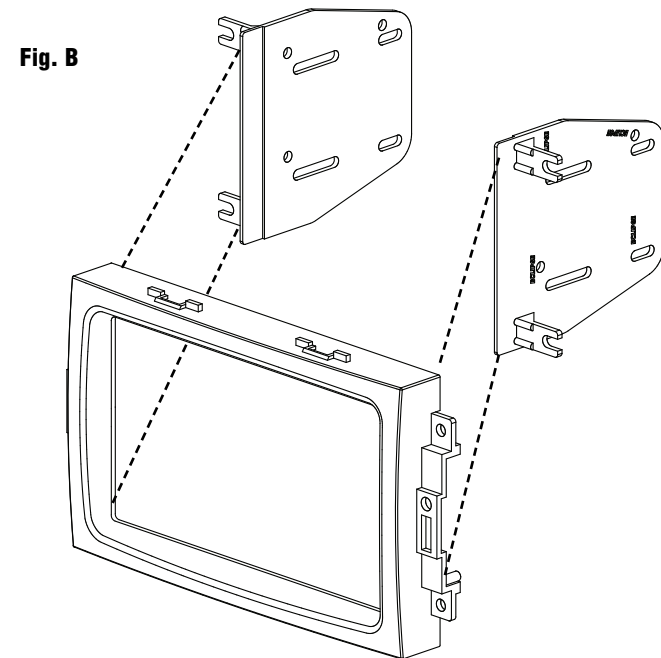
### DASH DISASSEMBLY INSTRUCTIONS

1. Carefully unsnap bezel surrounding radio and climate controls.
2. Disconnect harness attached to bezel.
3. Remove (4) screws securing radio in place.

## ISO DOUBLE MOUNT INSTALLATION INSTRUCTIONS

**Note:** Some radio faces are larger in size than the kit allows. You may need to file the Trim opening larger for some radios.

1. Attach the left and right side brackets to the main bracket. See illustration below.
2. Make sure the upper tabs are securely inserted into the slots on the inside left & right edges before attaching the screws to the rear of pocket.
3. Slide radio into kit from rear & attach to ISO mounting brackets using screws supplied with radio or kit (do not tighten screws at this time). (Be sure the length of the screws DO NOT touch any electrical parts inside radio, some screws may need to be shortened.)
4. Slide radio forward or backward for your desired look and then tighten the mounting screws.
5. Test the movement of any detachable face or flip face radio before re-assembling dash to allow face to move freely.



**2005-07 CHRYSLER 300/300C**  
**2006-07 DODGE CHARGER**  
**2005-07 DODGE MAGNUM**

## **DASH DISASSEMBLY INSTRUCTIONS**

1. Carefully remove the Radio/Climate control trim bezel starting just above the ashtray (Do Not Pull outward more than 1/4 inch).
2. Carefully unclip the top edge of the Radio/Climate control trim bezel (Do Not Pull Outward more than 1/4 inch).
3. Carefully remove each side edge of the Radio/Climate control trim bezel outward to release the (1) retaining clip from each side (Do Not Pull dash bezel outward more than 1/4 inch).
4. Carefully lift the Radio/Climate control trim bezel upward to release the(2) clips that are secured at the top edge of the factory radio and pull trim bezel forward.
5. Disconnect all wire harnesses attached to the rear of the trim bezel and Climate Controls and remove dash trim bezel.
6. Remove the (4) Phillips screws securing the factory radio to the sub-dash.
7. Carefully pull radio forward, disconnect the wire harness and antenna lead and remove radio.

**2007-08 DODGE CALIBER**  
**2007-08 JEEP COMPASS**

## **DASH DISASSEMBLY INSTRUCTIONS**

1. Engage the parking brake.
2. Carefully remove upward on the sides of the shifter trim bezel to release.
3. Put key in the ignition and turn to the on position **(DO NOT START THE ENGINE)!!**
4. Lower the shift lever to the low position.
5. Starting at the bottom, carefully pull upward and outward on the Radio/Climate control trim bezel.
6. Carefully pull bezel forward to allow access to the screws securing the radio to the sub-dash.
7. Remove the (4) Phillips screws securing the radio to the sub-dash.
8. Pull radio forward, disconnect all attached harnesses and antenna lead and remove radio.

**2005-08 DODGE DAKOTA**

## **DASH DISASSEMBLY INSTRUCTIONS**

1. Remove the (2) 9/32 screws from below the passenger airbag/coin pocket area.
2. Starting from the bottom, carefully pry the entire Radio/Climate control trim bezel forward and downward at the top edge.
3. Disconnect the passenger airbag light harness and climate control harness and lay bezel out of the way.
4. Remove the (4) 9/32 screws securing the radio to the sub-dash, pull radio forward, disconnect all attached harnesses and antenna lead and remove radio.

**2005-08 DODGE RAM P/U**

## **DASH DISASSEMBLY INSTRUCTIONS**

### **AUTOMATIC TRANSMISSION**

1. Open the lower center console drink holder compartment.
2. Remove the (1) 9/32 screw from under each 12 volt power receptacle.
3. Carefully starting from the bottom edge, pry the entire Radio/Climate control trim bezel forward to release and lay out of the way.
4. Remove the (4) 9/32 screws securing the radio to the sub-dash, pull radio forward, disconnect all harnesses and antenna lead and remove radio.

### **MANUAL TRANSMISSION**

1. Carefully lift up and remove the rubber cup holder insert from the lower console bezel.
2. Remove the (2) 5/16 screws securing the bottom portion of the cup holder and remove cup holder.
3. Remove the (2) 5/16 screws securing the shifter trim and shifter boot, pull towards you and back (sliding rubber boot upward slowly) to allow access to the screws at the of the lower center dash trim panel.
4. Remove the (2) 9/32 screws from the lower edge of the bottom center dash trim, depress the trim panel inward and pull down to remove.
5. Remove the (1) 9/32 screw from under each 12 volt power receptacle.
6. Carefully starting from the bottom edge, pry the entire Radio/Climate control trim bezel forward to release and lay out of the way.
7. Remove the (4) 9/32 screws securing the radio to the sub-dash, pull radio forward, disconnect all harnesses and antenna lead and remove radio.

**2007-08 CHRYSLER ASPEN**  
**2004-08 DODGE DURANGO**

## **DASH DISASSEMBLY INSTRUCTIONS**

1. Remove (2) 9/32" screws from the bottom of the Radio / Climate Control Bezel. (The screws are located under the cigarette lighter pocket).
2. Starting at the bottom of the bezel, Carefully pry it forward to detach the bezel from the dashboard.
3. Carefully pull from the top of the bezel down & forward and disconnect the wire harnesses from the rear of the bezel.
4. Leaving the Climate Controls attached to the bezel, remove the bezel from the dashboard. Set the dash bezel aside, out of harms way.
5. Remove the (4) 9/32" screws securing the factory radio to the sub-dash.
6. Carefully Pull the radio forward, disconnect the wire harness & antenna lead and remove radio.