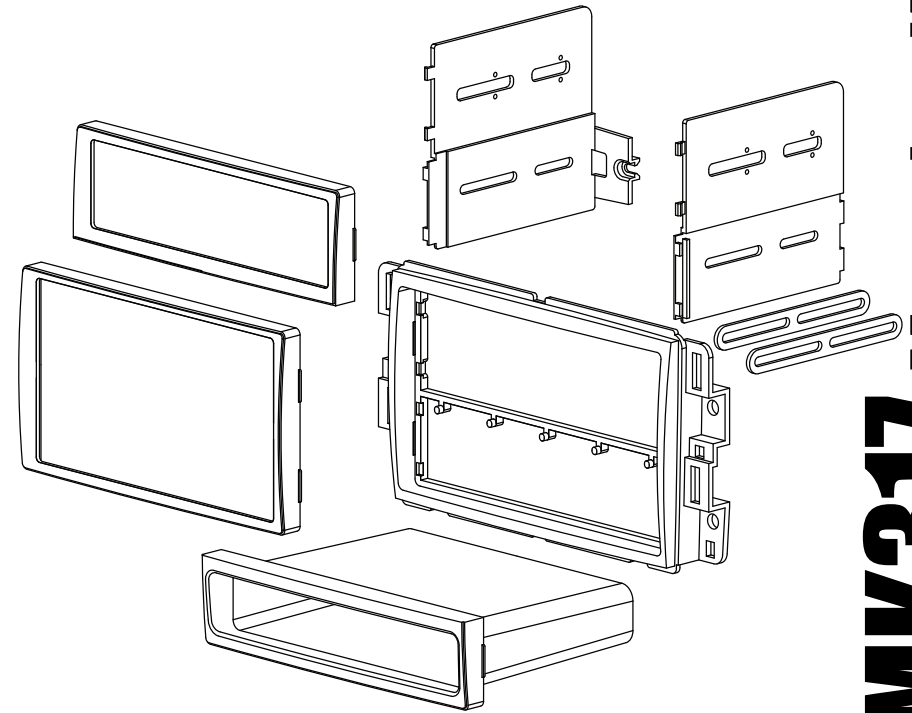


For information about other American International automotive accessories visit our website at:

<http://www.aius.net>



**American International**  
Car Stereo Installation Kits & Accessories



**GMK317 Mounting Kit**



**American International**

**WWW.AIUS.NET**

2500 East Francis Street Ontario, CA 91761, U.S.A.

USA Sales (800) 336-6500

Canada Sales (888) 922-3006

**CUSTOMER HELP LINE**

**USA 800-323-4329 • Canada 800-245-8777**

iGMK317

## VEHICLE APPLICATIONS

### **Buick**

2008-12 ENCLAVE

2006-11 LUCERNE

### **Chevrolet**

2007-13 AVALANCHE

2012-15 CAPTIVA SPORT

2007-09 EQUINOX

2008-15 EXPRESS

2006-13 IMPALA

2006-07 MONTE CARLO

2007-13 SILVERADO

2014 SILVERADO HD

2007-14 SUBURBAN

2007-14 TAHOE

2009-12 TRAVERSE

### **GMC**

2007-12 ACADIA

2008-15 SAVANA VAN

2007-13 SIERRA

2014 SIERRA HD

2007-14 YUKON/DENALI/XL

### **Hummer**

2008-09 HUMMER H2

### **Pontiac**

2007-09 TORRENT

### **Saturn**

2007-09 OUTLOOK

2008-09 VUE

### **Suzuki**

2007-09 XL-7

**DASH DISASSEMBLY AND RADIO REMOVAL INSTRUCTIONS**

1. Carefully remove the trim bezel from around the Radio/climate control and remove.
2. Remove the (3) 9/32 screws securing the climate control module to the sub-dash, pull module forward and lower the module out of the way.
3. Remove the (4) 9/32 screws securing the radio to the sub-dash, pull the radio forward, disconnect the attached harnesses and antenna lead and remove radio.

2006-13 CHEVROLET IMPALA / 2006-07 MONTE CARLO

**DASH DISASSEMBLY AND RADIO REMOVAL INSTRUCTIONS**

1. Starting from the top, Carefully pull outward on the Radio/Climate control trim bezel to release.
2. Pull Radio/Climate control trim bezel forward, disconnect the attached harness from the back edge of the bezel and remove bezel.
3. Loosen the (2) 9/32 screws securing the climate controls to the sub-dash and pull climate control module slightly forward to allow the radio to be lifted up and out.
4. Remove the (4) 9/32 screws securing the radio to the sub-dash.
5. Carefully pull radio forward, disconnect all wire harnesses and antenna lead and remove radio.

2007-13 CHEVROLET AVALANCHE/SILVERADO

2007-14 CHEVROLET SUBURBAN/TAHOE /2014 CHEVROLET SILVERADO HD

2007-13 GMC DENALI/YUKON/SIERRA /2014 GMC SIERRA HD

**DASH DISASSEMBLY AND RADIO REMOVAL INSTRUCTIONS**

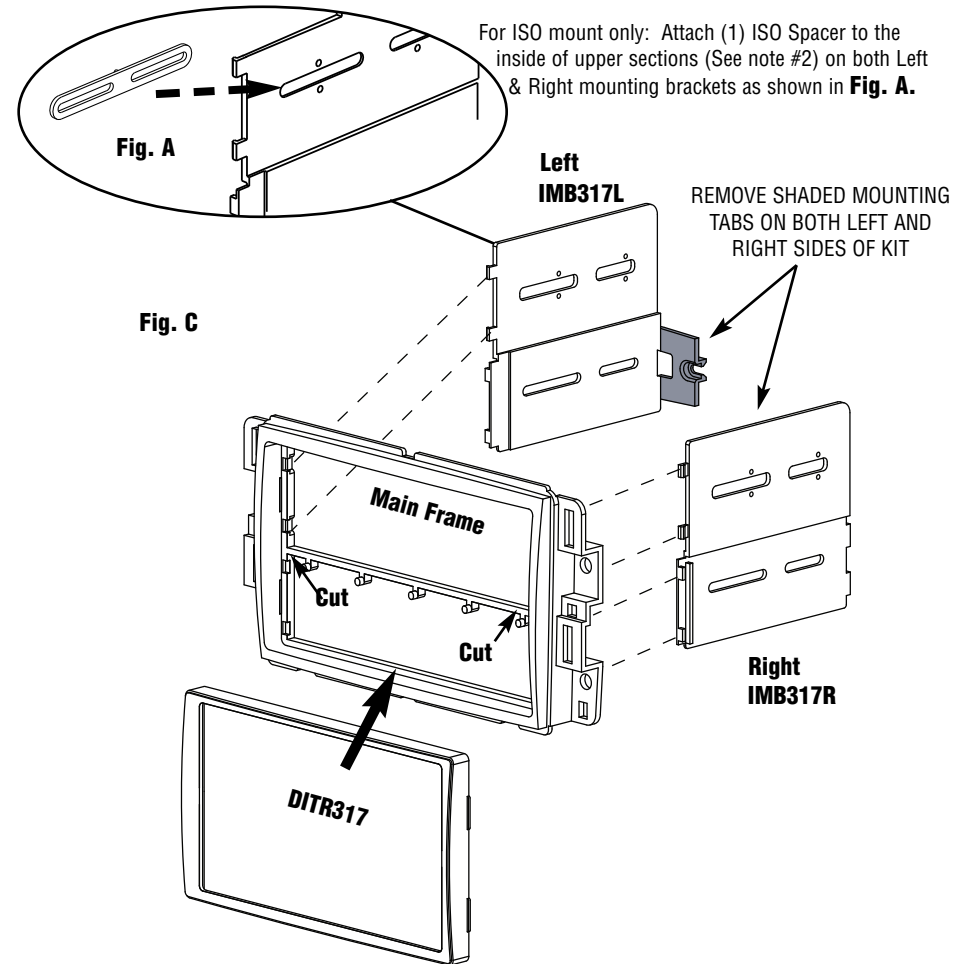
1. Carefully remove the trim bezel from around the radio and climate controls.
2. Loosen the (2) 9/32 screws securing the dual +12 volt receptacle module and pull module forward slightly.
3. Loosen the (2) 9/32 screws securing the climate control module and pull the module forward slightly.
4. Remove the (4) 9/32 screws securing the radio to the sub-dash, pull radio forward and upward to clear the climate control module.
5. Disconnect all wire harnesses and the antenna lead and remove radio.

**KIT ASSEMBLY INSTRUCTIONS**

**Double DIN Mount Applications**

1. Attach the left and right side brackets to the main frame. See figure C below.
2. For double DIN radio applications cut and remove center rib from main frame and file edges smooth.
3. Follow steps 4-6 from single ISO instructions on page 3. (See note #2 below)
4. Attach a rear support bracket to the rear of the radio components and adjust as needed to allow rear support bracket to rest in the sub-dash.

**NOTE:** #1 - ISO trim ring (DITR317) must be used in place of after-market radio's trim rings. For ISO mount applications, mount after-market radio components to side brackets using screws provided with radio when possible or hardware included with kit.  
 #2 - Spacers must read upright (This side up for DBL ISO install).



**DASH DISASSEMBLY AND RADIO REMOVAL INSTRUCTIONS**

1. Carefully press in on the sides of the shifter boot to release it from the shifter trim panel.
2. Lift the shifter boot up to access the Allen wrench screw securing the shifter knob to the shift lever. Loosen the Allen wrench screw and remove the shifter knob.
3. Remove the (1) torx screw from the shifter trim panel. Using a panel removal tool, carefully unsnap the shifter trim panel.
4. Disconnect the attached harnesses and remove the trim panel.
5. Using a panel removal tool, carefully unclip the radio trim bezel. Unplug and remove the panel.
6. Remove the (4) 9/32" screws securing the radio to the sub-dash.
7. Carefully pull the radio forward, disconnect all attached harnesses and antenna lead and remove radio.

**2008-09 HUMMER H2****DASH DISASSEMBLY AND RADIO REMOVAL INSTRUCTIONS**

1. Carefully unclip the Radio/Climate Control trim bezel including the A/C vents.
2. Disconnect all attached harnesses and remove bezel assembly.
3. Remove the (4) 9/32" screws securing the Climate controls to the sub-dash, disconnect the attached harnesses and remove the Climate Controls.
4. Remove the (4) 9/32 screws securing the radio to the sub-dash.
5. Disconnect all attached wire harnesses and antenna lead and remove radio.

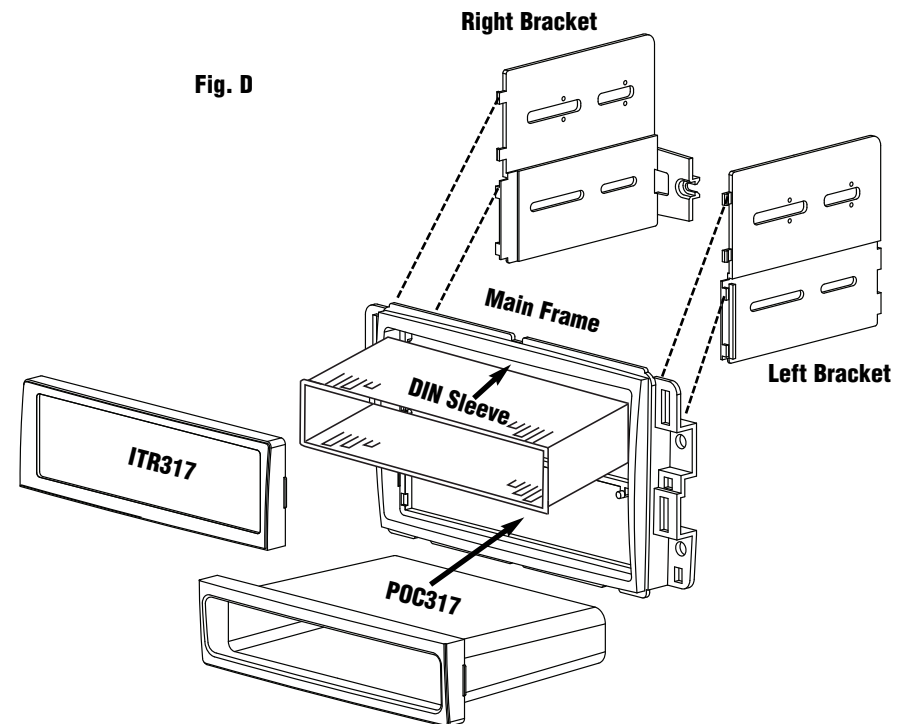
**2008-09 SATURN VUE/ 2012-14 CAPTIVA SPORT****DASH DISASSEMBLY AND RADIO REMOVAL INSTRUCTIONS**

1. Carefully unclip and remove the trim panel above the top of the radio trim panel
2. Remove the (2) Phillips screws from under panel removed in step 1.
3. Carefully unclip and remove the radio trim/ Vent assembly.
4. Carefully unclip and remove the trim panel surrounding the shifter knob including the climate controls.
5. Remove the (4) 9/32 screws securing the radio to the sub-dash
6. Disconnect all attached harnesses and antenna lead and remove radio.

**KIT ASSEMBLY INSTRUCTIONS****Single DIN Mount Applications**

1. Attach the left and right side brackets to the main bracket.
2. Insert pocket (part # POC317) into lower section of the main frame.
3. Attach left and right side brackets to the rear of the pocket using screws supplied.
4. Insert DIN sleeve from your new radio into the upper section of the installation kit.
5. Depress the tabs from inside the sleeves opening upward, outward, and downward to secure sleeve to the installation kit.
6. Install radio into sleeve and lock into place.
7. Attach a rear support bracket to the rear of the new radio and adjust as necessary to attach to the rear support stud located on the back of the pocket using the small phillips screw supplied with kit.

**NOTE:** ISO trim ring (ITR317) may be used in place of after-market radio's removable trim ring.



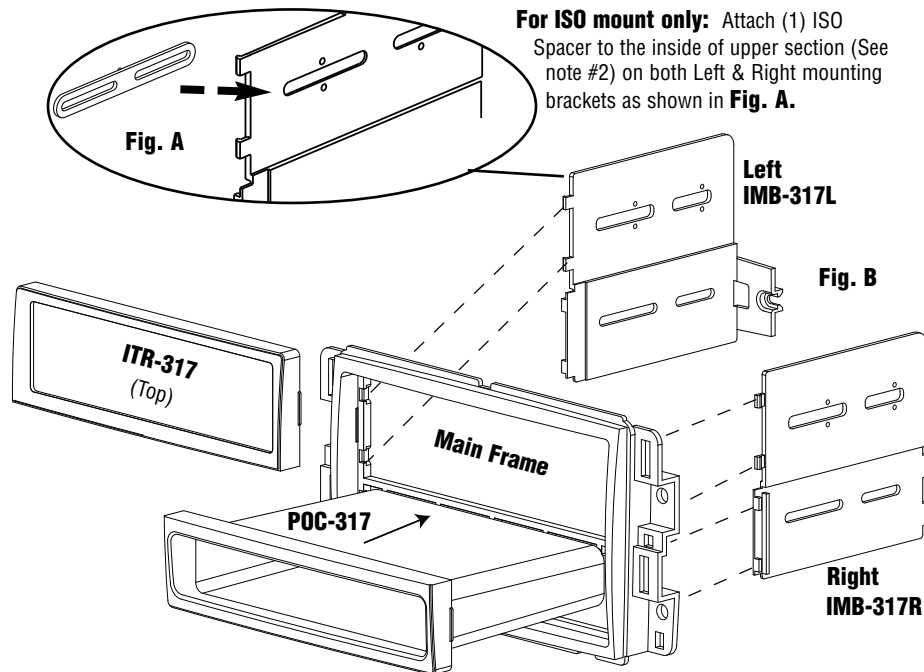
## KIT ASSEMBLY INSTRUCTIONS

### Single ISO Mount Applications

1. Attach the left and right side brackets to the main bracket. See Figure B.
2. Insert pocket (part # POC-317) into lower section of the main frame.
3. Attach left and right side brackets to the rear of the pocket using screws supplied.
4. Attach (1) ISO Spacer to the inside of upper section on both Left & Right mounting brackets as shown in Fig. A. (See note #2 below)
5. Insert ISO mountable radio between ISO mount brackets and loosely attach to sides of radio using screws provided with radio when possible or hardware included with kit.
6. Slide radio component forward or backward for desired look and tighten screws.
7. Attach a rear support bracket to the rear of the new radio and adjust as necessary to attach to the rear support stud located on the back of the pocket using the small phillips screw supplied with kit.

### Single ISO Mount Applications Cont.

- NOTE:** #1 - ISO trim ring (ITR-317) may be used in place of after-market radio's removable trim ring.  
#2 - Spacers must read upright (This side up for single ISO install).



## 2007-09 CHEVROLET EQUINOX 2007-09 PONTIAC TORRENT

### DASH DISASSEMBLY AND RADIO REMOVAL INSTRUCTIONS

1. Slide shift handle base ring down and remove (torx head #10) screw
2. Slide upward and remove shift handle.
3. Pull back and remove plastic cover located under window switches (directly in front of parking brake)
4. A/C vents, radio bezel, shift knob console and window switches are all one piece.
5. Starting at the window switch section lift up and unclip entire panel. Start at the bottom and work up
6. Disconnect all plugs from panel and remove completely.
7. Remove (4) 9/32 screws securing factory radio in place.
8. Disconnect radio harnesses and remove

## 2008-12 BUICK ENCLAVE 2009-12 CHEVROLET TRAVERSE 2007-12 GMC ACADIA 2008-09 SATURN OUTLOOK

### DASH DISASSEMBLY AND RADIO REMOVAL INSTRUCTIONS

1. Using a panel removal tool, carefully unfasten the radio/climate control trim panel, disconnect the attached wire harness and remove the entire radio trim/ Climate control panel.
2. Remove the (4) 9/32 screws securing the radio to the sub-dash.
3. Carefully pull the radio forward, disconnect all attached harnesses and antenna lead and remove radio.

## 2008-14 CHEVROLET EXPRESS VAN 2008-14 GMC SAVANNAH VAN

### DASH DISASSEMBLY AND RADIO REMOVAL INSTRUCTIONS

1. Remove the (2) 10mm bolts from below the drivers knee panel under steering column and remove the panel.
2. Remove the (2) 10mm bolts from the panel below passenger side dash airbag and remove the panel.
3. Unclip and remove the radio and instrument cluster panel. (Completely removing this panel may not be necessary to get to the radio).
4. Remove (4) 9/32" bolts securing the radio to the sub-dash.
5. Carefully pull the radio forward, disconnect all attached harnesses and antenna lead and remove radio.