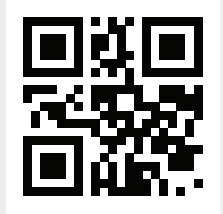


B² audio

MODEL: ESS.1

PRODUCT ID:ESS116



ESS.1

OWNER'S MANUAL



INTRODUCTION

We thank you for purchasing the ES6.1 speaker system. Your decision to be part of something different is what we strive for. Our products reflect who we are, going to the extent to deliver you our finest comes natural.

The ES6.1 component system aims to be the natural OEM upgrade choice regardless of price. To achieve a proper sound reproduction we have chosen paper cones & silk dome tweeters, natural selections for both SQ and SQL. The ES6.1 offers a more natural and non-colored sound, making it a great companion as OEM replacements and for installs where both weight and space is of an essence, but still without compromise to the audiophile impression experienced.

For continuous news & updates feel free to visit us at www.b2audio.com and on social media www.facebook.com/b2audio - www.youtube.com/b2audio www.instagram.com/b2_audio - www.twitter.com/b2_audio

*It is essential that the ES6.1 speaker system is given time to allow the suspension to soften up. Also referred to as "Break In". Depending on use, this may take several weeks. While this process is undergoing, it is not recommended to apply full amplification power according to the speakers specs. Once the "Break In" has been done, the audio reproduction of the ES6.1 will appear more natural & balanced.

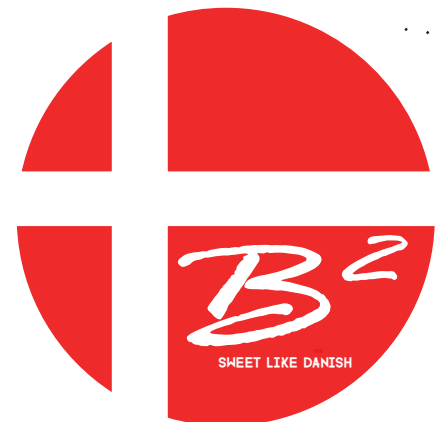


Better Bass

Better Bass is our philosophy of adding something extra without deterring the sound. Keep in mind that continuous exposure to SPL above 100 dB can seriously damage your hearing. Today's high power auto sound systems can easily produce SPL over 140 dB. Enjoy your music with sense.

TABLE OF CONTENTS

DESIGN FEATURES	3
THIELE SMALL DATA	3
INSTALLATION	4



DESIGN FEATURES

ESS.1

Component Speaker System

Midrange: 6.5" impp paper cone midrange speaker
Tweeter: 0.8" Silk dome tweeter
Frequency Response: 60 Hz ~ 20 KHz
Crossover: 2 way passive crossover
Crossover Point: 3.5 KHz
Crossover Slope: 6 dB / Octave

Thiele Small data: Midwoofer

Fs:	62.4 Hz	Re:	3.6 Ω
Qms:	3.567	Z nom:	4 Ω
Qes:	0.955	Voice coil:	1"
Qts:	0.753		
Vas:	12.18 L	Efficiency:	0.3 %
Cms:	518 $\mu\text{m}/\text{N}$	BL:	4.3 TM
Mms:	12.54 g	SPL:	89dB
Power handling:	150 w (max)		

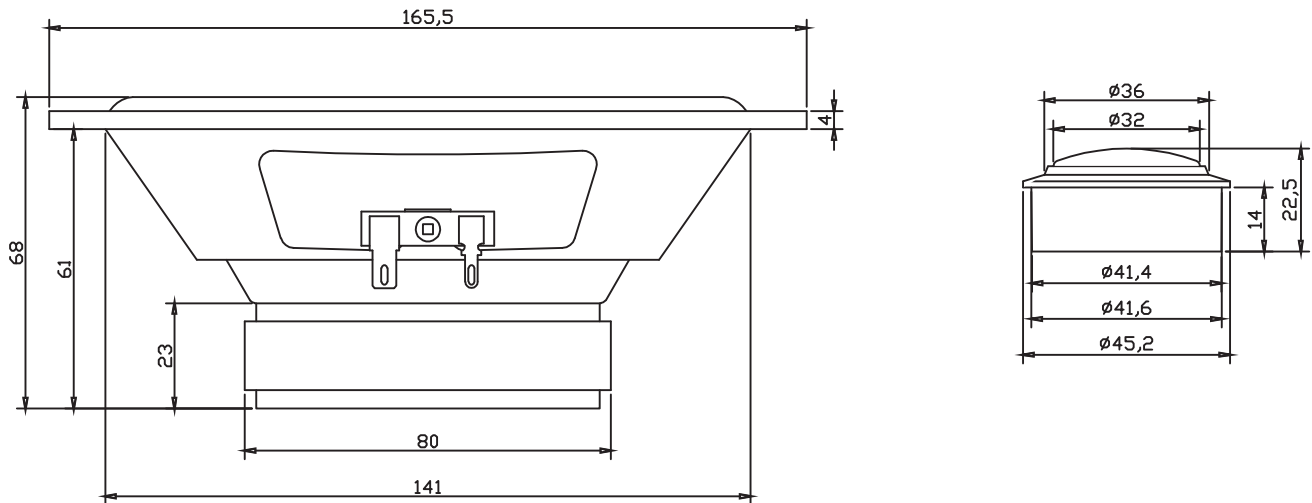
Tweeter data:

Fs:	2.3 KHz
Re:	3.6 Ω
Z nom:	4 Ω
SPL:	91 dB (2.83 v / 1 m)
Voice coil:	0.8"
Wire material:	Aluminum, copper layered.
Power handling:	5 w

B² audio

DIMENSIONAL DATA

ESS.1



Installation

Prior to installation, ensure a proper location for the speaker system.

Due to the physical dimensions of the cabin, it is wise to test various points of placements if possible. If oem position is chosen, a good tip is to reinforce the mounting with a mdf ring and seal off leakage from that position. This will enhance mid bass response as well as optimizing overall performance. Do also try with slightly angling the midrange speaker to "raise" the sound.

The tweeters can preferably be mounted in a-pillars or placed close to the windscreen, mirroring of that and reflecting the sound towards the best audible position.

B² audio

B2

LIMITED WARRANTY INFORMATION

B2 audio offers a limited warranty under the following terms:

The product is to be free of defects in material & workmanship under normal use for a period of 1 year from the date of the original purchase, when installed by an authorized dealer. Items not installed by authorized dealers will be warrantied for 30 days from the original purchase. Original sales receipts must be accompanied with all returns. The warranty applies to the original purchaser of the product & it being sold by authorized B2 audio dealers.

- The warranty does not cover:
1. Damage caused by accident, abuse, misuse, improper operation, water / solvents & shipping.
 2. Product modification, neglect, failure to follow installation instructions & misrepresentation by the seller.
 3. Products used for competition purposes or are of such a character 4. Any product that has been opened.
 5. Products that has had the serial number defaced, altered or removed.
 6. The cost of shipping the product back for repair to an authorized repair centre & cost of return of non-defective items.

