

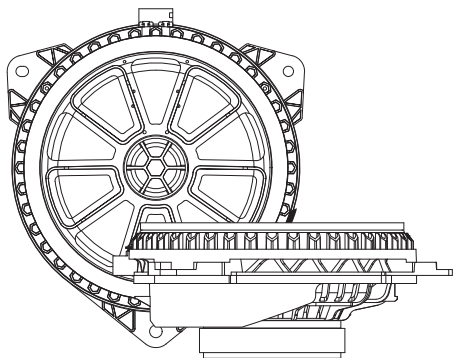
CRPP-TO1.7CX

User Manual

Toyota / Lexus



CRUISE



Welcome to DLS!

Thank you for purchasing DLS Cruise CRPP-TO1.7CX coaxial speakers. For us, it is all about the sound experience. We care deeply about sound and construction quality. In order for your experience to be as optimal as possible, it is important that you fully read this manual, preferably before you start your installation. Keep the manual in a safe and accessible place for future reference.

Your speakers must be installed correctly in order to work as intended. Make sure you have all necessary tools nearby before starting and that you are completely confident in how to proceed. If you feel the slightest uncertainty; feel free to take the help of an experienced installer or a car audio dealer.

Warranty

This coaxial speaker is covered by warranty, depending on the conditions in the country where it is sold. If the speaker is returned for service, please include the original dated receipt with the product.

DECLARATION OF CONFORMITY

DLS plug and play speakers for vehicles are manufactured in accordance with the EU directive EEC 95/54 (72/245/ EEC) and are marked with the approval number. They are also marked in accordance with the WEEE-directive 2012/19/EC. The products are also produced in accordance with the EU RoHS directive 2015/863/EU.

DLS CRUISE CRPP-TO1.7CX

Content

| | |
|-----------------------|----|
| Welcome | 1 |
| Parts Included | 2 |
| Pre-installation | 2 |
| General Info | 2 |
| Installation | 2 |
| Remove Door Panel | 2 |
| Remove Speaker | 3 |
| Mount DLS Speaker | 4 |
| Remount Door Panel | 4 |
| Run-in period | 4 |
| DLS Support | 4 |
| Specifications | 5 |
| Compatible Car Models | 7 |
| Disclaimer | 9 |
| Product Markings | 10 |

DLS speakers are engineered by DLS Sweden,
a part of:

Winn Scandinavia AB

Idrottsvägen 37 - SE-702 32 Örebro - Sweden

Tel: +46 19 20 67 65 - E-mail: info@dls.se

www.dls.se

Designed & Sound tuned in Sweden.



Parts Included

Included products:

2pcs Coaxial speakers

Included in box:

2pcs Stainless steel Cruise logo badges

4pcs Adhesive foams for wrapping

2pcs Speaker connection cables (for loose ends)

4pcs Terminal crimp connectors

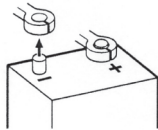
1pc Pry Tool

1pc Manual

Pre-installation

Disconnect Battery

Before you start the process of replacing speakers, disconnect and secure the negative terminal from your battery/power source. This will prevent the risk of damaging yourself or the products.



Place the disconnected terminal in a secure and isolated location away from any possible connection belonging to the battery/power source system.

General Info

Some sound systems may vary in size of the door speaker. Before you start the assembly, make sure that your vehicle has the same size as these speakers.

The installation process may vary depending on the car model, factory options and other factors. The approach is similar to all of the described car models. Some screws and clips may be placed differently.

Take care when removing panels, so there will be no marks. Use plastic pry tools to avoid marks on the panels and damaging the plastic clips.

Installation

Tools needed

- Bit screwdriver
- Bit socket M10 wrench size
- Small flat head screwdriver
- Plastic pry tool (included)
- Rivet tool (in some cases)

Remove Door Panel

Disassemble the rear door by removing the door panel cover.



Usually the clips/screws are placed by the white marks. This could vary depending on the vehicle.

Remove the plastic covers of door handle and door opener.



In most cases the screws used are Phillips type, use a tool bit PH2 size. Unscrew them and store the screws in a safe place, for later use when reinstalling the door panel. Normally the screws are located at the door handle and opener.





To remove the door panel, all clips need to be released. Loosen the door panel by inserting the pry tool between the panel and the door. Pry the door panel gently, but firm, outward to release the clips.



When the door panel is loose, start by softly lifting the panel straight up to remove it.

There are several electrical and mechanical connectors on the backside of the panel. Start with detaching the release cable/cables from the door handle. The door release cable is now loose and can be removed from the front turning the cable and unhooking it.



Disconnect electrical connections for the window control panel and door lights.

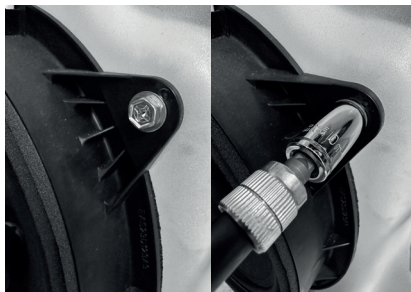


Remove Speaker

Release the speaker connector.



Remove the speaker by unscrewing the M10 or PH2 screws.



Use the pry tool to release the speaker from the door.





Mount DLS Speaker

Install the speaker to the door by using the OEM M10 or PH2 screws. Make sure the speaker is properly mounted and fits nicely.



Reconnect the speaker connector in the new DLS speaker.



Remount Door Panel

Start the reassembly of the door panels. Follow this manual in reverse order.

Reconnect all cables. Reconnect all electrical connectors and the unlocking device, place the door cover from the top by the window seal and push it down gently. Make sure the clips align with their holes and can engage. Give the door panel a push by the hand to attach to the clips. Mount and fasten all screws/bolts at the correct places. Make sure that no screws or clips are left over, reconnect the battery/power source terminal.

Hint!

Take care when installing the door panel, to make sure no wires get squeezed and/or pressed against the speaker when it's installed in the door frame.

Run-in period

To ensure optimal performance from your coaxial speakers, it's essential to allow for a proper run-in period. Fresh out of production, the moving parts like spider and suspension in a speaker can be stiff. A bit of exercise is necessary. Once they've had a chance to settle, you'll notice an improvement in sound quality.

Plan to let them play for a minimum of 15-20 hours. This can be achieved using a tone sweep or simply by playing music until they reach their intended performance.

Once the run-in period is completed the speakers now provide a more natural and enhanced music experience.

DLS Support

For technical assistance, ask your car audio dealer where the product was sold or the distributor in your country. You can always contact the DLS Support in Sweden via e-mail: info@dls.se. For more information regarding DLS and our products, visit our website: www.dls.se. We follow a policy of continuous advancement in development. For this reason, all or part of specifications and designs may be changed without prior notice.



Specifications

DLS Cruise CRPP-TO1.7CX Coaxial Speaker

Technical Specifications

| | |
|-------------|---|
| Size | 7" / 178 mm woofer and 1" / 25 mm tweeter |
| RMS Power | 90 W |
| MAX Power | 180 W |
| Impedance | 4 Ohm |
| Sensitivity | 91 dB 1W/1m |
| Freq. range | 55 Hz - 25 kHz |
| Crossover | 4800 Hz 6 dB / Oct with Mundorf caps |

DLS Cruise CRPP-TO1.7CX Woofer

Technical Specifications

| | |
|---------------------|-------------------------------------|
| Size | 7" / 178 mm |
| Voice Coil Size | 1" / 25 mm |
| Voice Coil Material | CCAW voice coil with Kapton® former |
| Basket | Glass Fiber Reinforced ABS |
| Magnet | Optimized hybrid neo/ferrite magnet |
| Cone | Glass Fiber |
| Suspension | Rubber |

Electro-Acoustic Parameters

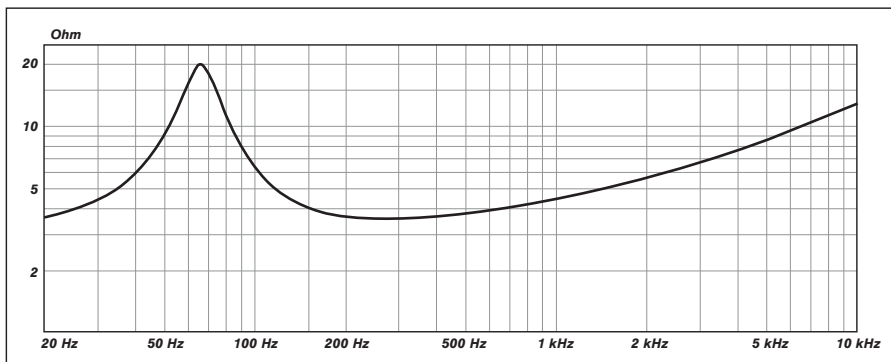
| | |
|-----|---------------------|
| Re | 3.2 Ohm |
| Fs | 64.2 Hz |
| Mms | 18.2 gr |
| Cms | 0.77 |
| Vas | 12.8 L |
| Qts | 0.83 |
| Qes | 0.96 |
| Qms | 6.18 |
| Bl | 4.84 T.m |
| Spl | 89.5 dB 1W/1m |
| Sd | 165 cm ² |

DLS Cruise CRPP-TO1.7CX Tweeter

Technical Specifications

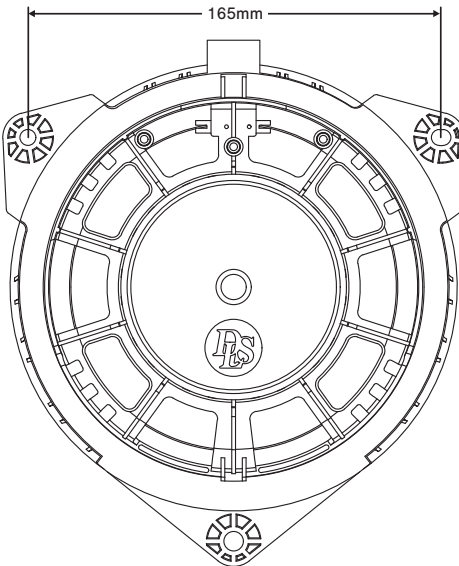
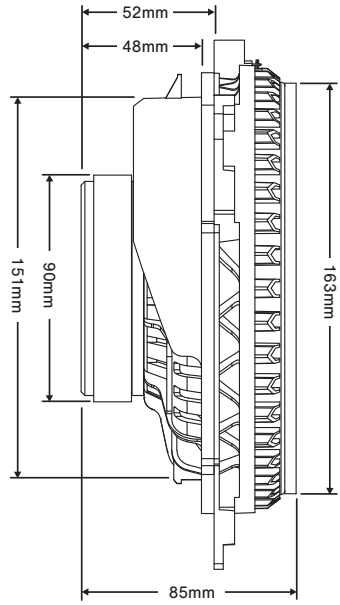
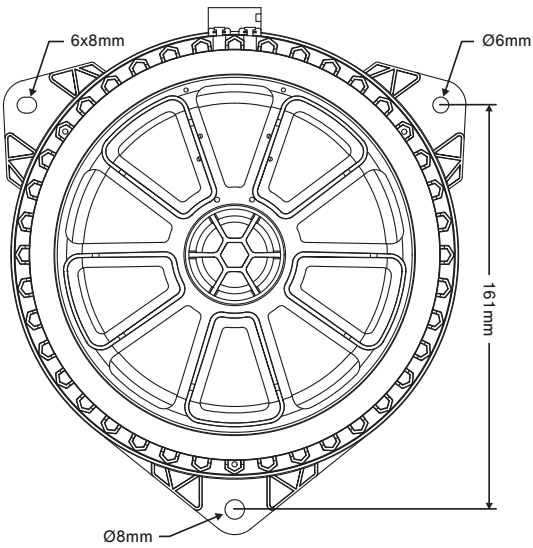
| | |
|---------------------|--------------------------------------|
| Size | 1" / 25.4 mm |
| Voice Coil Material | CCAW voice coil with aluminum former |
| Frame | Glass Fiber Reinforced ABS |
| Magnet | Neodymium with copper shorting ring |
| Cone | Natural silk dome |

Impedance vs. Frequency





Dimensions





Compatible Car Models

DLS Cruise CRPP-TO1.7 & CRPP-TO1.7CX

| Make | Model | Year | Front speaker | Rear speaker |
|--------|-------------------------|-----------|---------------|--------------|
| Toyota | Alphard AH20 | 2008-2015 | - | CRPP-TO1.7 |
| Toyota | Alphard AH30 | 2015-2022 | - | CRPP-TO1.7 |
| Toyota | Altis | 2013-2018 | CRPP-TO1.7 | CRPP-TO1.7CX |
| Toyota | Aqua | 2012-2022 | CRPP-TO1.7 | CRPP-TO1.7CX |
| Toyota | Auris | 2006-2021 | CRPP-TO1.7 | CRPP-TO1.7CX |
| Toyota | Avensis T25 | 2003-2009 | CRPP-TO1.7 | CRPP-TO1.7CX |
| Toyota | Aygo | 2014-2018 | CRPP-TO1.7 | CRPP-TO1.7CX |
| Toyota | C-HR | 2016-2019 | CRPP-TO1.7 | CRPP-TO1.7CX |
| Toyota | C-HR | 2019-2023 | CRPP-TO1.7 | CRPP-TO1.7CX |
| Toyota | Camry V | 1997-2001 | CRPP-TO1.7 | CRPP-TO1.7CX |
| Toyota | Celica | 2000-2005 | CRPP-TO1.7 | CRPP-TO1.7CX |
| Toyota | Corolla IX/X Verso | 2001-2012 | CRPP-TO1.7 | CRPP-TO1.7CX |
| Toyota | Corolla XI | 2013-2018 | CRPP-TO1.7 | CRPP-TO1.7CX |
| Toyota | Corolla XII | 2019-2023 | CRPP-TO1.7 | CRPP-TO1.7CX |
| Toyota | Corolla Cross | 2019-2023 | CRPP-TO1.7 | CRPP-TO1.7CX |
| Toyota | Corolla GR | 2022-2023 | CRPP-TO1.7 | CRPP-TO1.7CX |
| Toyota | Crown SUV | 2012-2016 | CRPP-TO1.7 | CRPP-TO1.7CX |
| Toyota | Echo | 2000-2005 | CRPP-TO1.7 | CRPP-TO1.7CX |
| Toyota | Esquire | 2014-2021 | CRPP-TO1.7 | CRPP-TO1.7CX |
| Toyota | Etiós Liva | 2012-2012 | CRPP-TO1.7 | CRPP-TO1.7CX |
| Toyota | Fortuner | 2004-2012 | CRPP-TO1.7 | CRPP-TO1.7CX |
| Toyota | Fortuner | 2019-2023 | CRPP-TO1.7 | CRPP-TO1.7CX |
| Toyota | Frontlander | 2022-2023 | CRPP-TO1.7 | CRPP-TO1.7CX |
| Toyota | GT86 | 2012-2016 | CRPP-TO1.7 | - |
| Toyota | GT86 II | 2016-2021 | CRPP-TO1.7 | - |
| Toyota | GR86 | 2022-2023 | CRPP-TO1.7 | - |
| Toyota | Harrier II | 1998-2013 | CRPP-TO1.7 | CRPP-TO1.7CX |
| Toyota | Harrier III | 2013-2020 | CRPP-TO1.7 | CRPP-TO1.7CX |
| Toyota | Harrier IV | 2021-2023 | CRPP-TO1.7 | CRPP-TO1.7CX |
| Toyota | Highlander | 2001-2007 | CRPP-TO1.7 | CRPP-TO1.7CX |
| Toyota | Highlander III/IV | 2008-2019 | CRPP-TO1.7 | CRPP-TO1.7CX |
| Toyota | Hilux | 2006-2019 | CRPP-TO1.7 | CRPP-TO1.7CX |
| Toyota | Hilux | 2020-2023 | CRPP-TO1.7 | CRPP-TO1.7CX |
| Toyota | Innova | 2015-2023 | CRPP-TO1.7 | CRPP-TO1.7CX |
| Toyota | IQ | 2009-2015 | CRPP-TO1.7 | CRPP-TO1.7CX |
| Toyota | Izoa | 2018-2023 | CRPP-TO1.7 | CRPP-TO1.7CX |
| Toyota | Land Cruiser 100 series | 2003-2007 | CRPP-TO1.7 | CRPP-TO1.7 |
| Toyota | Land Cruiser 200 series | 2008-2021 | - | CRPP-TO1.7 |
| Toyota | Levin | 2018-2022 | CRPP-TO1.7 | CRPP-TO1.7CX |
| Toyota | Matrix | 2002-2014 | CRPP-TO1.7 | CRPP-TO1.7CX |
| Toyota | Mirai | 2015-2022 | CRPP-TO1.7 | CRPP-TO1.7CX |
| Toyota | MR2 | 1997-2007 | CRPP-TO1.7 | - |
| Toyota | Nav 1 | 2012-2017 | CRPP-TO1.7 | CRPP-TO1.7CX |
| Toyota | Noah X | 2018-2023 | CRPP-TO1.7 | CRPP-TO1.7CX |
| Toyota | Prius C | 2012-2021 | CRPP-TO1.7 | CRPP-TO1.7CX |
| Toyota | Prius C Crossover | 2018-2022 | CRPP-TO1.7 | CRPP-TO1.7CX |
| Toyota | Prius I | 2001-2005 | CRPP-TO1.7 | CRPP-TO1.7CX |
| Toyota | Prius II | 2004-2009 | CRPP-TO1.7 | CRPP-TO1.7CX |



| Make | Model | Year | Front speaker | Rear speaker |
|-------------|----------------------|-------------|----------------------|---------------------|
| Toyota | Prius IV | 2016-2022 | CRPP-TO1.7 | CRPP-TO1.7CX |
| Toyota | Raize | 2021-2023 | CRPP-TO1.7 | CRPP-TO1.7CX |
| Toyota | Rav 4 | 2001-2018 | CRPP-TO1.7 | CRPP-TO1.7CX |
| Toyota | Rav 4 | 2019-2023 | CRPP-TO1.7 | CRPP-TO1.7CX |
| Toyota | Sequoia I | 2001-2007 | CRPP-TO1.7 | CRPP-TO1.7CX |
| Toyota | Sienna | 1998-2004 | CRPP-TO1.7 | CRPP-TO1.7CX |
| Toyota | Sienta | 2015-2021 | CRPP-TO1.7 | CRPP-TO1.7CX |
| Toyota | Solara I | 1998-2003 | CRPP-TO1.7 | CRPP-TO1.7CX |
| Toyota | SW4 | 2006-2018 | CRPP-TO1.7 | CRPP-TO1.7CX |
| Toyota | Tundra II Double Cab | 2000-2007 | CRPP-TO1.7 | CRPP-TO1.7CX |
| Toyota | Urban Cruiser | 2009-2014 | CRPP-TO1.7 | CRPP-TO1.7CX |
| Toyota | Vellfire AH20 | 2008-2015 | - | CRPP-TO1.7 |
| Toyota | Vellfire AH30 | 2015-2022 | - | CRPP-TO1.7 |
| Toyota | Venza | 2020-2023 | CRPP-TO1.7 | CRPP-TO1.7CX |
| Toyota | Vios | 2005-2018 | CRPP-TO1.7 | CRPP-TO1.7CX |
| Toyota | Voxy | 2018-2023 | CRPP-TO1.7 | CRPP-TO1.7CX |
| Toyota | Vitz | 2005-2018 | CRPP-TO1.7 | CRPP-TO1.7CX |
| Toyota | Yaris/Vitz | 2005-2011 | CRPP-TO1.7 | CRPP-TO1.7CX |
| Toyota | Yaris/Vitz | 2011-2020 | CRPP-TO1.7 | CRPP-TO1.7CX |
| Toyota | Yaris/Vitz | 2020-2023 | CRPP-TO1.7 | CRPP-TO1.7CX |
| Toyota | Yaris IA | 2015-2018 | CRPP-TO1.7 | CRPP-TO1.7CX |
| Toyota | Yaris | 2021-2023 | CRPP-TO1.7 | CRPP-TO1.7CX |
| Toyota | Yaris Cross | 2021-2023 | CRPP-TO1.7 | CRPP-TO1.7CX |
| Toyota | Yaris GR | 2021-2023 | CRPP-TO1.7 | CRPP-TO1.7CX |
| Toyota | Wildlander | 2019-2023 | CRPP-TO1.7 | CRPP-TO1.7CX |
| Lexus | ES V | 2002-2012 | CRPP-TO1.7 | CRPP-TO1.7CX |
| Lexus | GS III | 2006-2011 | CRPP-TO1.7 | CRPP-TO1.7CX |
| Lexus | GS IV | 2012-2020 | CRPP-TO1.7 | CRPP-TO1.7CX |
| Lexus | IS | 2001-2006 | CRPP-TO1.7 | CRPP-TO1.7CX |
| Lexus | IS II | 2006-2012 | CRPP-TO1.7 | CRPP-TO1.7CX |
| Lexus | IS III | 2012-2020 | CRPP-TO1.7 | CRPP-TO1.7CX |
| Lexus | IS IV | 2020-2022 | CRPP-TO1.7 | CRPP-TO1.7 |
| Lexus | LM | 2020-2022 | - | CRPP-TO1.7 |
| Lexus | NX | 2015-2021 | CRPP-TO1.7 | CRPP-TO1.7CX |
| Lexus | NX II | 2021-2022 | CRPP-TO1.7 | CRPP-TO1.7 |
| Lexus | RX | 1998-2003 | CRPP-TO1.7 | CRPP-TO1.7CX |
| Subaru | BRZ | 2012-2021 | CRPP-TO1.7 | CRPP-TO1.7CX |
| Subaru | BRZ II | 2021-2023 | CRPP-TO1.7 | CRPP-TO1.7CX |
| Subaru | Crosstrek XV | 2013-2018 | CRPP-TO1.7 | CRPP-TO1.7CX |
| Subaru | Forester III | 2008-2013 | CRPP-TO1.7 | CRPP-TO1.7CX |
| Subaru | Impreza III | 2007-2014 | CRPP-TO1.7 | CRPP-TO1.7CX |
| Subaru | Impreza IV | 2014-2019 | CRPP-TO1.7 | CRPP-TO1.7CX |
| Subaru | Legacy V | 2009-2014 | CRPP-TO1.7 | CRPP-TO1.7CX |
| Subaru | Legacy VI | 2015-2019 | CRPP-TO1.7 | CRPP-TO1.7CX |
| Subaru | Outback IV | 2012-2014 | CRPP-TO1.7 | CRPP-TO1.7CX |
| Subaru | WRX/STI | 2014-2017 | CRPP-TO1.7 | CRPP-TO1.7CX |
| Subaru | WRX/STI VA | 2018-2021 | CRPP-TO1.7 | CRPP-TO1.7CX |
| Suzuki | Across | 2020-2023 | CRPP-TO1.7 | CRPP-TO1.7CX |
| Suzuki | Swace | 2020-2023 | CRPP-TO1.7 | CRPP-TO1.7CX |



| Make | Model | Year | Front speaker | Rear speaker |
|-------------|--------------|-------------|----------------------|---------------------|
| Scion | FRS | 2012-2016 | CRPP-TO1.7 | CRPP-TO1.7CX |
| Scion | IA | 2015-2018 | CRPP-TO1.7 | CRPP-TO1.7CX |
| Scion | IQ | 2008-2015 | CRPP-TO1.7 | CRPP-TO1.7CX |
| Scion | IM | 2016-2023 | CRPP-TO1.7 | CRPP-TO1.7CX |
| Scion | TC | 2004-2016 | CRPP-TO1.7 | CRPP-TO1.7CX |
| Scion | XA | 2004-2009 | CRPP-TO1.7 | CRPP-TO1.7CX |
| Scion | XB | 2004-2015 | CRPP-TO1.7 | CRPP-TO1.7CX |
| Scion | XD | 2009-2014 | CRPP-TO1.7 | CRPP-TO1.7CX |
| Citroen | C1 | 2014-2022 | CRPP-TO1.7 | CRPP-TO1.7CX |
| Peugeot | 108 | 2014-2021 | CRPP-TO1.7 | CRPP-TO1.7CX |
| Pontiac | Vibe | 2003-2010 | CRPP-TO1.7 | CRPP-TO1.7CX |

Disclaimer

Note! The factory sound system (for example speaker impedance) may in rare occasions be changed without prior notice from the vehicle manufacturer. If the factory speaker is below 2 Ohm or above 6 Ohm impedance, you should be cautious before installing your new speakers. The new speakers may not function properly, and can cause harm to the factory amplifier. For more information, visit www.dls.se or consult your local DLS dealer.



Product Markings



The crossed-out wheeie bin symbol means that the product, literature and packaging included must be taken to separate collection at the end of their working life. Do not dispose of these products as unsorted municipal waste: take them for recycling. For info on your nearest recycling point, check with your local waste authority.



This product has been granted with the CE certification mark to show that the product follows the health, safety, and environmental protection standards for products sold within the European Economic Area (EEA).



DLS products comply with the relevant provisions of the RoHS Directive for the European Union. In common with all Electrical and Electronic Equipment (EEE) the product should not be disposed of as household waste. Alternative arrangements may apply in other jurisdictions.



DLS is a global partner of the European Mobile Media Association, an organisation that focus on promoting the custom made mobile media installations to consumers.

We follow a policy of continuous advancement in development. For this reasons all or part of specifications & designs may be changed without prior notice. We reserve for possible typos, factual or numeric errors that may have been printed on any products, package designs, user manuals and/or other included accessories.



CRUISE **E**