

GAS

marine

BTC2

AMPLIFIED BLUETOOTH CONTROLLER



USER'S MANUAL

BTC2

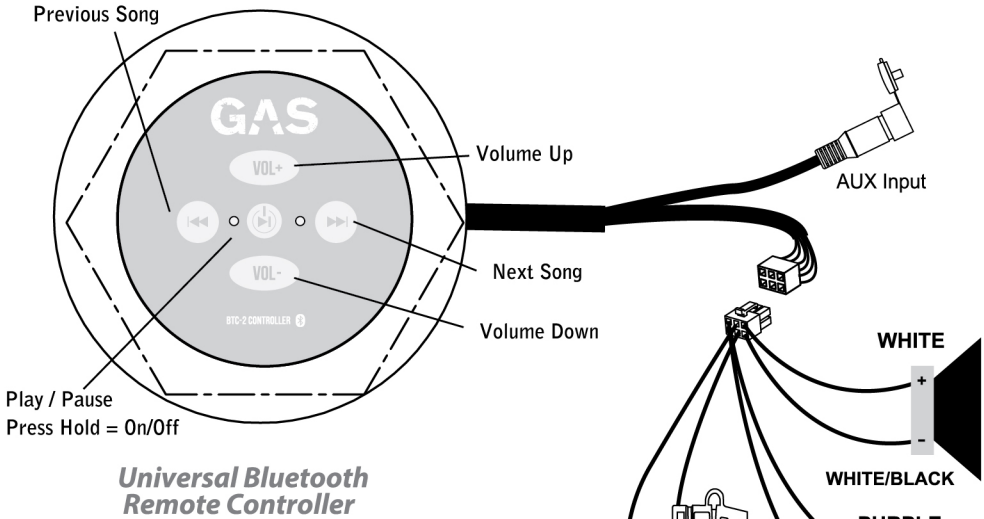
AMPLIFIED BLUETOOTH CONTROLLER

Features:

AMPLIFIED BLUETOOTH CONTROLLER (BTC-2)

- Amplified Wireless Remote Controller with Bluetooth Audio Streaming
- 3.5mm AUX Input Jack
- Built in 2-Channel Amplifier 2x18W RMS
- Wireless Range: Up to 10m
- Simple Digital Touch Button Controls
- Sealed for Outdoor Applications Such as Atvs, Motorcycles, Marine and Watersport.
- Led Connection Indicator Lights
- Seamless Flush Mount

Power and Speaker Wiring



Wire Color

Red

Black

White

White/Black

Purple

Purple/Black

Description

Battery (+), 12dc

Battery (-), Ground

Speaker cable left (+)

Speaker cable left (-)


Speaker cable right (+)

Speaker cable right (-)

Playing Music:

1. Press to start or pause the music
2. Press for next track
3. Press for previous track
4. Press VOL+ for volume up
5. Press VOL- for volume down

Bluetooth Pairing and Connection:

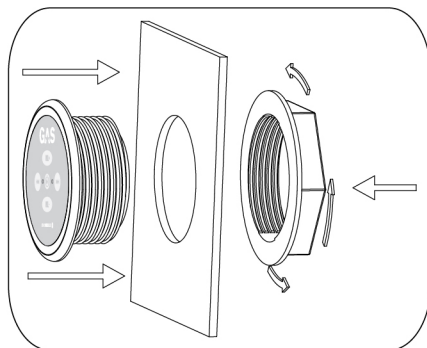
1. Connect Bluetooth controller box to your device
2. Press and Hold  for three seconds until power indicator lights (red)
3. The system will automatically go into pairing mode. The power indicator will turn red for about 7 seconds and then alternating red and blue (Bluetooth blue Power red). Please be sure that Bluetooth is turned on your device. Select "BTC-2" on your device to connect Bluetooth controller(if the Bluetooth controller is connected the light will turn blue and not flash).
4. When the device is out of Bluetooth range, Bluetooth will be disconnected automatically and automatically reconnect when detected in range again.(If not please just repeat steps1 and 2)
5. When Bluetooth is disconnected or the 3.5mm AUX Input is plugged in, the power indicator will glow red.

Bluetooth Installation

Seamless Flush Mount

1. Cut a hole in the panel.
2. Insert the Bluetooth controller into the hole.
3. Fix the mounting nut from the rear.

Size: 100mm (Out Diameter)
78.8mm (Cutout Diameter)
37.9mm (Depth)



GAS
marine